

Water Management Solutions

  
Kingspan



***Klargester***

# BioDisc<sup>®</sup> BA-BC Domestic Sewage Treatment Plant Range



[kingspan.co.uk/klargester](http://kingspan.co.uk/klargester)

  
**Kingspan**<sup>®</sup>



# Klargester BioDisc® Domestic Sewage Treatment Plant

## Support from start to finish from our expert team



Step 1

### Free survey

Contact us and we'll arrange for a local Kingspan Klargester expert to visit your home for a full site assessment, should you need it.



Step 2

### Choice

Our professional team will work with you to help choose the correct BioDisc model.



Step 3

### Set up

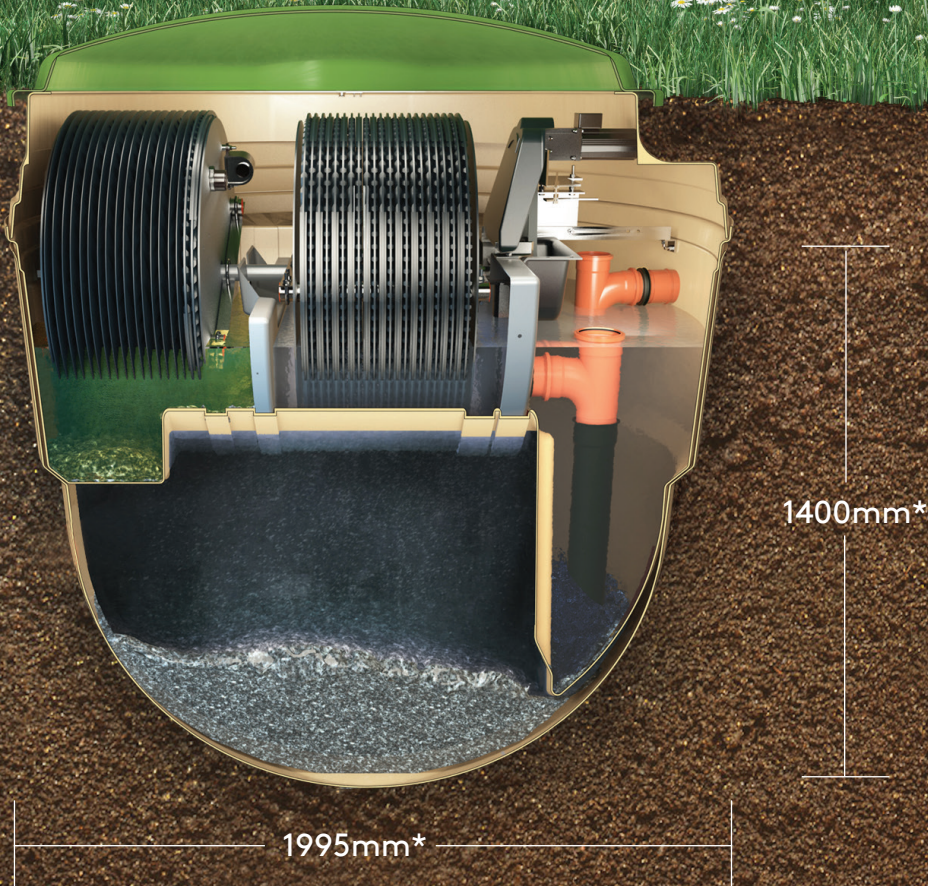
We offer full commissioning and activation for your BioDisc, ensuring it runs optimally right from the start.



Step 4

### Service

We offer tailored service and maintenance packages for your BioDisc treatment plant.



\* Dimensions illustrated here are applicable to the BA and BB models only.



## Choosing the right sewage treatment plant for your home with Kingspan Klargester

Kingspan Klargester provides relevant advice and support throughout the wastewater treatment purchasing process based on our in-depth local knowledge and expertise. We offer comprehensive free site visits, professional installation options (optional extra) and expert aftersales care through our national network of accredited installers and engineers.

BioDisc is 100% compliant with European standard EN 12566-3

I'm a homeowner - what do I need to consider before choosing my treatment plant?

The Kingspan Klargester BioDisc sewage treatment system is available to suit all types of domestic applications, catering for single and multi-house properties. BioDisc is engineered to treat wastewater to a very high standard and offers affordable lifetime costs compared to other treatment processes.

- Our team will guide you through:
- Size of treatment plant required
  - Ground conditions around the plant
  - Wastewater discharge options
  - Invert level options

## Why BioDisc®?

With strict Environment Agency standards, it's more important than ever to choose a sewage treatment plant that delivers peace of mind with reliable treatment of wastewater.

The Kingspan Klargester BioDisc is built on the back of 65 years' experience and offers the following benefits:

**7 YEAR WARRANTY\*\***

## Product benefits



Affordable lifetime running costs



Odour free



Trusted and reliable performance



Silent Operation

BioDisc is one of the few systems in the UK which doesn't make use of an air pump (used in an 'aerated' system) which means minimal odour being released. This is verified by an independent odour sampling report (available on request).

At a recent site, our expert team concluded that the domestic BioDisc has the same level of noise as the average ambient background noise outside (between 40-55 decibels) \*



40-55 DECIBELS

Domestic BioDisc  
Decibel equivalent to a modern refrigerator



75-80 DECIBELS

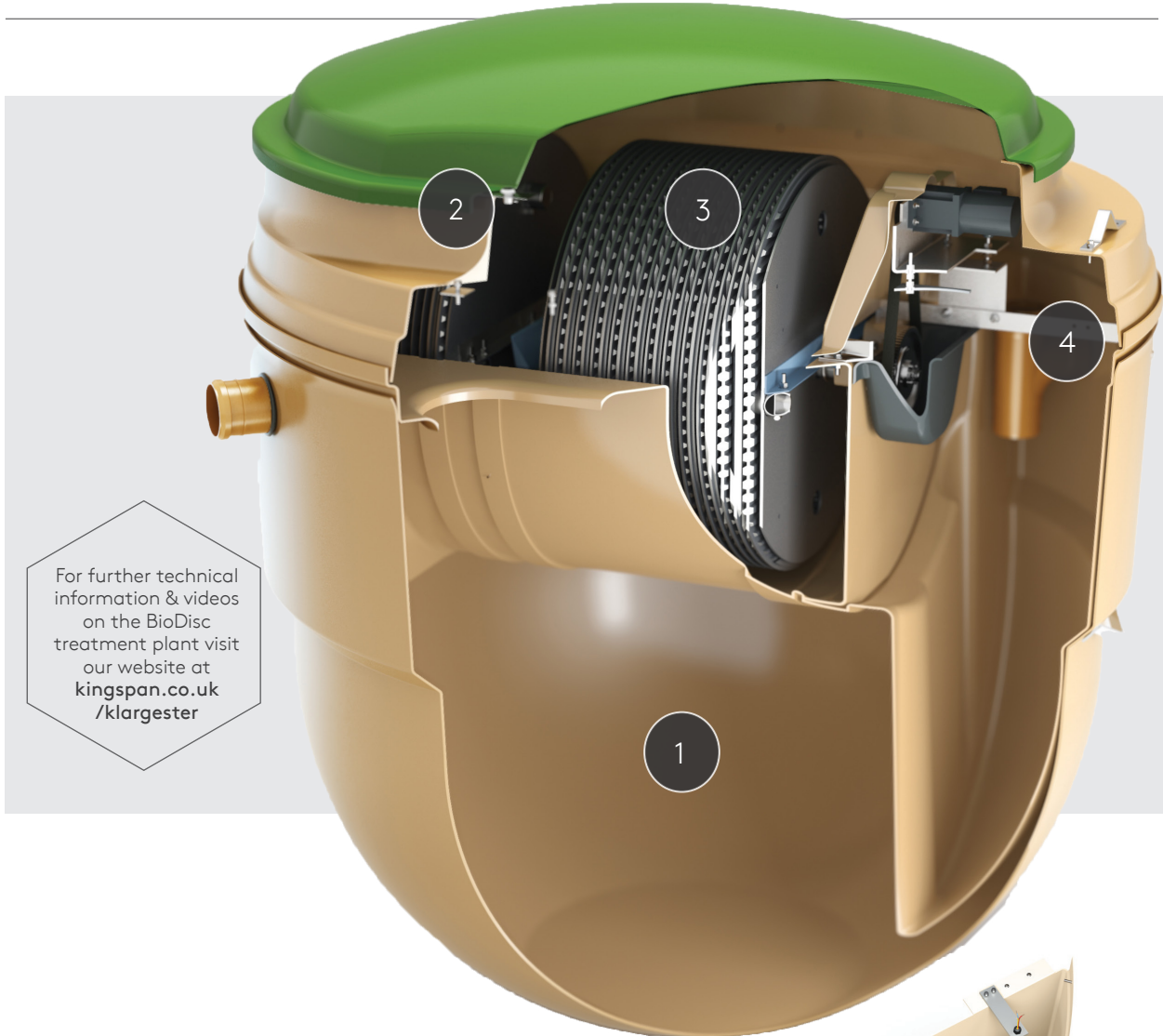
Typical aerated system  
Decibel equivalent to a coffee grinder machine

\* This is a representative figure based on a commercial BioDisc plant.

Register your guarantee online at [kingspan.co.uk/klargesterguarantee](https://www.kingspan.co.uk/klargesterguarantee) to arrange your service and enjoy an extended seven year guarantee period.\*\*

\*\* For BA and BB BioDisc models only, when registered online - terms and conditions apply. Visit: <https://www.kingspan.com/gb/en-gb/products/wastewater-management/warranty-terms>

# How it works



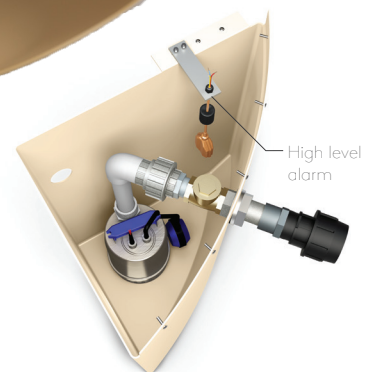
For further technical information & videos on the BioDisc treatment plant visit our website at [kingspan.co.uk/klargester](http://kingspan.co.uk/klargester)



Control panel and beacon featuring alarm\* and digital display to signal that your system is working optimally (beacon and alarm optional extras).

## SmartServ Pro




Ask us about our SmartServ Pro remote monitoring solution (optional extra). With early fault detection, SmartServ Pro lets you know when your system needs serviced, giving you peace of mind. Find out more at [helpingyou@kingspan.com](mailto:helpingyou@kingspan.com)

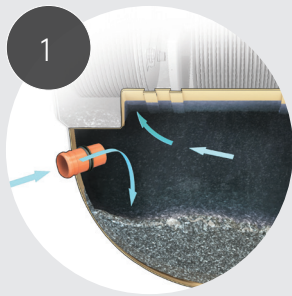


**Integrated Pump System** also available (for pumped systems only). Our technical team will guide you through the best options for your site.

Book your free site visit from our expert Klargester team at [klargester@kingspan.com](mailto:klargester@kingspan.com) or visit [kingspan.co.uk/klargester](http://kingspan.co.uk/klargester)



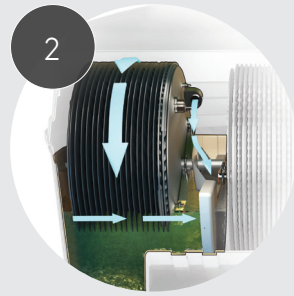
<p>Silent operation</p> 	<p>Odour Free</p> 	<p>Trusted and reliable performance</p> 
--	---	---



**1**

**Primary settlement tank**

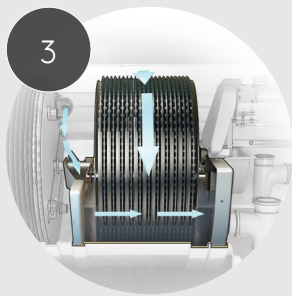
Wastewater and sewage flows into the primary settlement tank where the large solids are retained for future removal.



**2**

**First stage biological treatment**

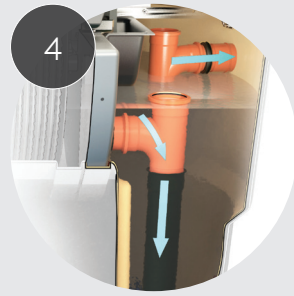
The liquor and fine solids then flow into the Biological Treatment Zone 1 where the first stage of treatment occurs.



**3**

**Second stage biological treatment**

The liquor is then fed forward at a controlled rate into Biological Treatment Zone 2 for further treatment.



**4**

**Final settlement tank**

The clean liquid passes into the final settlement tank where it can be discharged to ground or water course.

**Invert level options**

Three standard drain invert level options are available from stock to match the site topography and where applicable, minimise the excavation depth. The BA, BB and BA-X models are available with an integral pump to move the effluent from the point of treatment, if site level demands.

**Environment Agency regulations**

As an off-mains homeowner, you must comply with the General Binding Rules by ensuring your treatment system is maintained properly and does not cause pollution. These rules state that you must arrange regular

maintenance for your system, via a trusted service provider. Kingspan Service can help with expert servicing and alarm packages – email [helpingyou@kingspan.com](mailto:helpingyou@kingspan.com)

**Protect your investment with our Service and Maintenance Plans**

We recommend that you service your BioDisc sewage treatment plant **once a year**. Under Environment Agency regulations, it's now your responsibility to ensure smooth running of your plant.

Our in house Service department offer a range of service packages

including Gold, Silver and Bronze to cater for all homeowners' needs.

To find out more about how you could benefit from a tailored service package from Kingspan, call us on **0333 240 6868** or email [helpingyou@kingspan.com](mailto:helpingyou@kingspan.com)



---

# Contact Details

---

## UK

### Kingspan Water & Energy Ltd.

College Road North  
Aston Clinton | Aylesbury  
Buckinghamshire | HP22 5EW

T: +44 (0) 1296 633 000

F: +44 (0) 1296 633 001

E: [klargester@kingspan.com](mailto:klargester@kingspan.com)

[www.kingspan.co.uk/klargester](http://www.kingspan.co.uk/klargester)

---

### Kingspan Water & Energy Ltd.

Service Office Details:

180 Gilford Road  
Portadown

BT63 5LF

T: NI: 028 3836 4600 | ROI: 0818 543 500

E: [helpingyou@kingspan.com](mailto:helpingyou@kingspan.com)

[www.kingspanservice.com](http://www.kingspanservice.com)

We take every care to ensure that the information in this document is accurate at the point of publication. Dimensions may vary (within a small parameter) due to manufacturing process variations or environmental conditions. All images are for illustration purposes only and, along with dimensions, should not be taken as binding. The actual product may vary and aspects such as equipment specification/colour may differ. To ensure you are viewing the most recent and accurate product information, please visit this link: <https://www.kingspan.com/gb/en-gb/products/water-management/domestic-sewage-treatment-plants/klargester-biodisc-domestic-sewage-treatment-plant>  
©Kingspan and the Lion Device are Registered Trademarks of the Kingspan Group in the UK, Ireland and other countries. All rights reserved. Registered in Country No.NI017631. Registered Office: 180 Gilford Road, Portadown, Co. Armagh, BT635LF. VAT GB412 5124 03

