



THE BEAUTIFUL FLAMES

STANEGATE STOVES LTD

The Cone, The Old Glassworks, Lemington
Newcastle upon Tyne, NE15 8SX

Tel: 0191 267 7100
www.stanegatestoves.com
email: stanegate@talktalk.net
Company Reg No 8119190



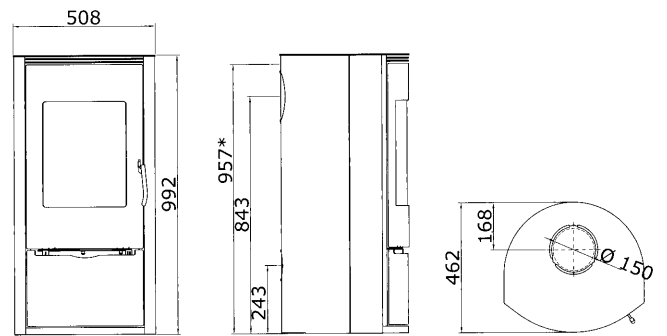
Technical Information

ILD 1 ILD 4

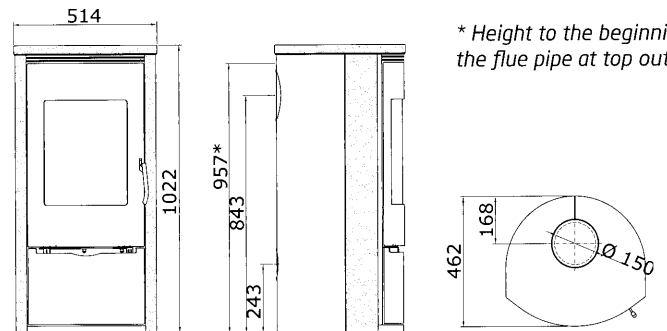
Finish Options	: Black paint
Heat Output (Nominal)	: 5,8 kW *)
Range of heat output	: 3-8 kW
Efficiency	: 86 % *)
Flue outlet	: Ext. Ø 160; Inner Ø 156 mm
Log Length	: 30 cm
Weight	: 102 kg
Weight with serpentine	: 145 kg
Tested according to	: EN 13240/NS 3058
	DEFRA approved for burning wood in smoke controlled areas
Accessories	: Piece for external air supply, door for base, serpentine top (ILD 1), floorplate black steel/ glass.

*) According to EN 13240

ILD 1

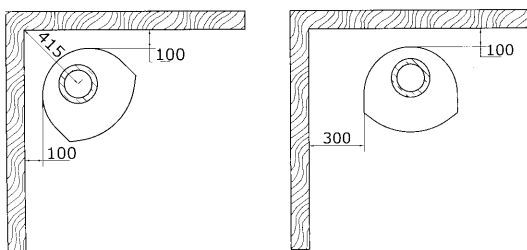


ILD 4



* Height to the beginning of the flue pipe at top outlet

Min. distance to combustible wall



Min. distance to combustible wall protected by approved firewall

