

All rights reserved. No part of this document may be reproduced in any material form (including photocopying or storing in any medium) without the written permission of Northumberland County Council except in accordance with the provisions of Copyright, Designs and Patents Act 1988. Unauthorised reproduction may lead to prosecution or civil proceedings.

**NOTES**

**1.0 GENERAL**

- 1.1 ALL DIMENSIONS IN mm UNLESS STATED OTHERWISE.
- 1.2 LEVELS ARE TO A LOCAL GRID REFERENCE.
- 1.3 THIS DRAWING TO BE READ IN CONJUNCTION WITH: HB127276/.../23 OVERALL PLAN. (SITE REFERENCE PLAN)
- 1.4 METHOD STATEMENT APPROVED BY ENVIRONMENT AGENCY.

**2.0 TIMBER**

- 2.1 TIMBER REQUIRES NO TREATMENT, NO BARK STRIPPING AND CAN BE FRESHLY FELLED.

**3.0 BOULDERS**

- 3.1 TO BE FROM A LOCAL QUARRY AND TO MATCH EXISTING RIVER MATERIALS.

NOTES ADDED.	PF	16.02.15	Ⓒ
CHECKED : PAB PASSED : JLR			
ALTERATIONS TO SOFT ENGINEERING	PF	14.10.14	Ⓒ
CHECKED : PAB PASSED : STR			
SOLDIERS ADDED TO PLAN	PF	28.10.14	Ⓒ
CHECKED : PAB PASSED : STR			
REVISION	By	Date	Rev.

Reproduced from based upon the Ordnance Survey mapping with permission of the Controller of Her Majesty's Stationery Office. © Crown copyright. Unauthorised reproduction infringes Crown copyright and may lead to prosecution or civil proceedings.  
NORTHUMBERLAND COUNTY COUNCIL - O.S. License No. 100048048 (2009)

Drawing Status **PRELIMINARY**

Client  
NORTHUMBERLAND COUNTY COUNCIL  
COUNTY HALL, MORPETH.  
NORTHUMBERLAND, NE61 2EF

Job Title  
**WEST NEWTON - KIRKNEWTON B6351 ROAD  
WEST NEWTON BRIDGE  
SCOUR PROTECTION WORKS**

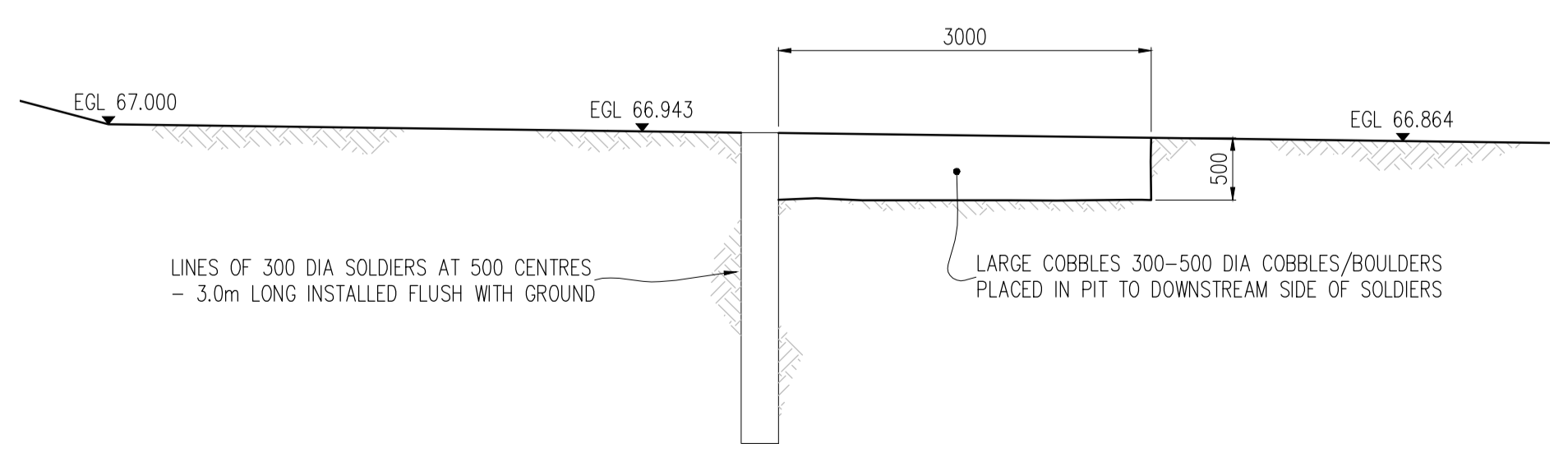
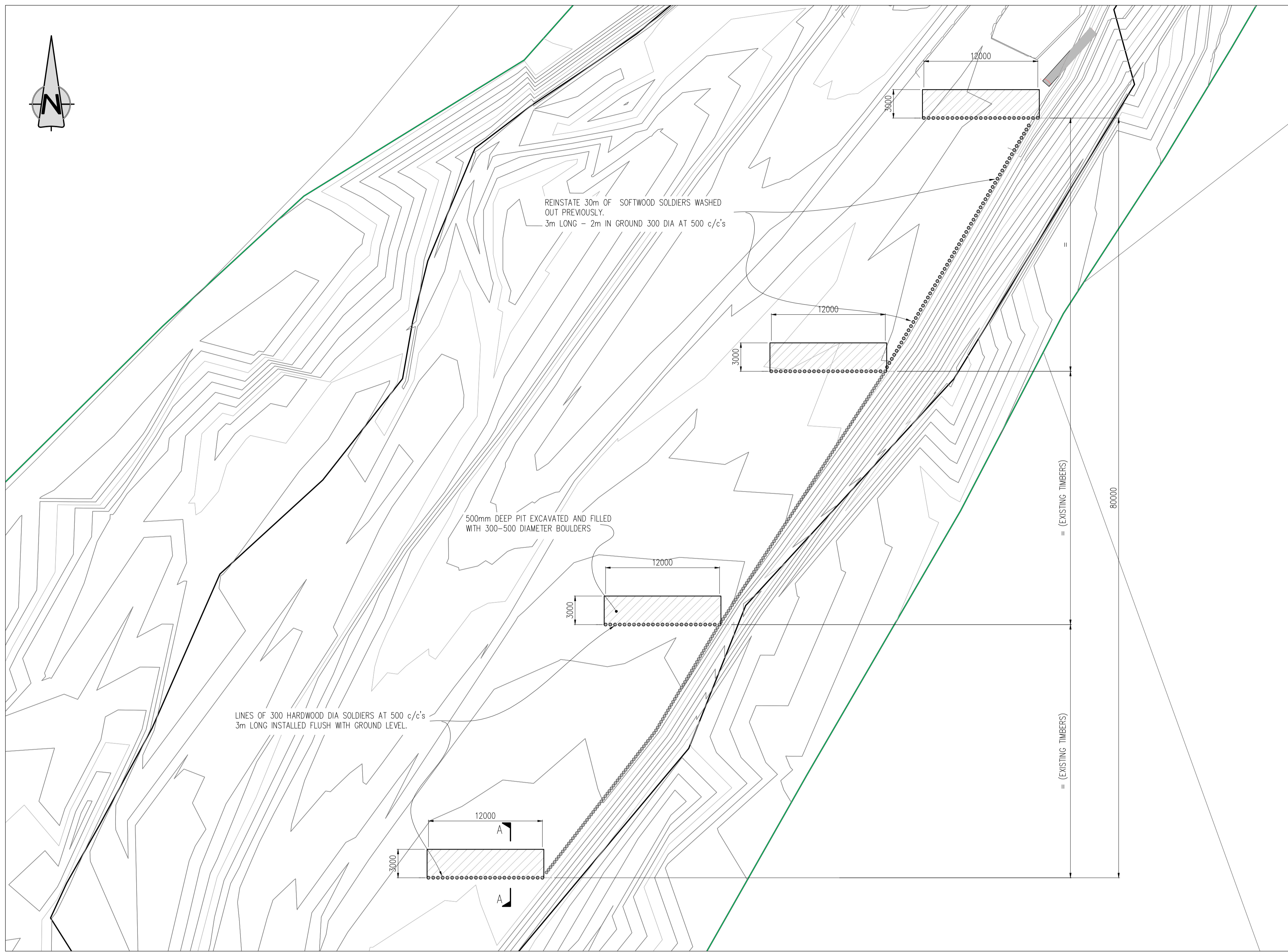
Drawing Title  
**AREA 5  
PLAN AND CROSS SECTION**

Scales AS SHOWN

Drn	Date	Checked	Passed
PF	17.10.14	PAB	JLR

Drawing Number **HB127276/B/B6351/06/30** Rev C

Job Number/File Number Rev



**SECTION A-A**  
SCALE: 1/50