

**PLAN**

Scale: 1/100

4.5m MIN  
(5 No KERBS)

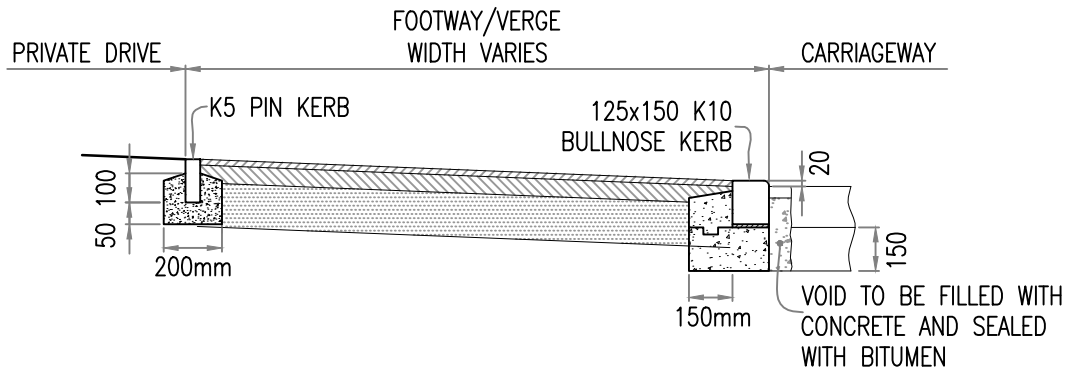


**KERBING**

Scale: 1/100

BULLNOSE KERBS TO EXTEND ONE KERB LENGTH BEYOND WIDTH OF ENTRANCE TO AVOID OVERRUNNING DROPPED KERBS.

- 20mm AC6 DENSE SURF 100/150
- 60mm AC14 DENSE SURF 100/150
- 150mm TYPE 1 UNBOUND MIXTURE SUB-BASE.
- OR
- 100mm CONCRETE MIX ST5 (CRIMPED SURFACE)
- SEPARATION MEMBRANE
- 100mm TYPE 1 UNBOUND MIXTURE SUB-BASE.
- KERB BACKING & FOUNDATION MIX ST4 CONCRETE.



**CONSTRUCTION DETAIL**

Scale: 1/25

All rights reserved . No part of this document may be reproduced in any material form (including photocopying or storing in any medium) without the written permission of Northumberland County Council except in accordance with the provisions of Copyright, Designs and Patents Act 1988. Unauthorised reproduction may lead to prosecution or civil proceedings.

Reproduced from/based upon the Ordnance Survey mapping with permission of the Controller of Her Majesty's Stationery Office. © Crown copyright. Unauthorised reproduction infringes Crown copyright and may lead to prosecution or civil proceedings.  
NORTHUMBERLAND COUNTY COUNCIL - O.S. License No. 100049048 (2009)

REVISION:	BY	DATE	REV

**Northumberland**  
Northumberland County Council  
HIGHWAYS & NEIGHBOURHOOD SERVICES

TITLE	LIGHT VEHICLE USE TYPE A PRIVATE ACCESS
-------	---

Drn: PF	Date: 05.02.14
Scale: AS SHOWN	
Checked:	Passed:
Drg No: SD/001	