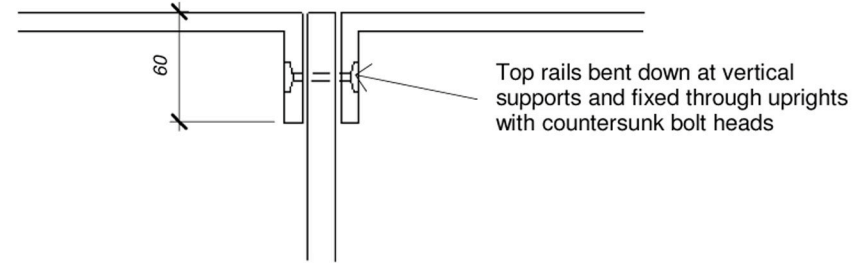
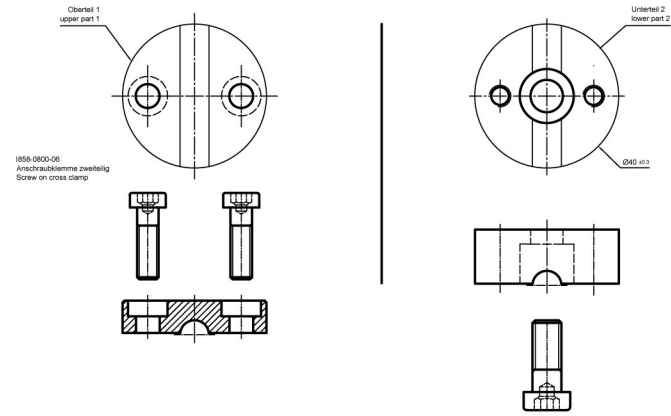
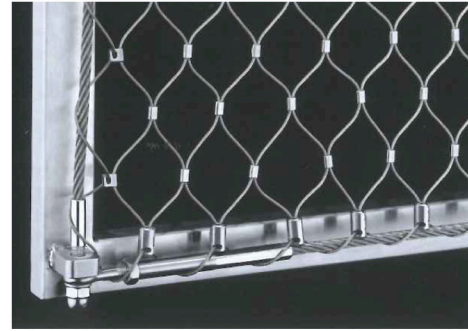
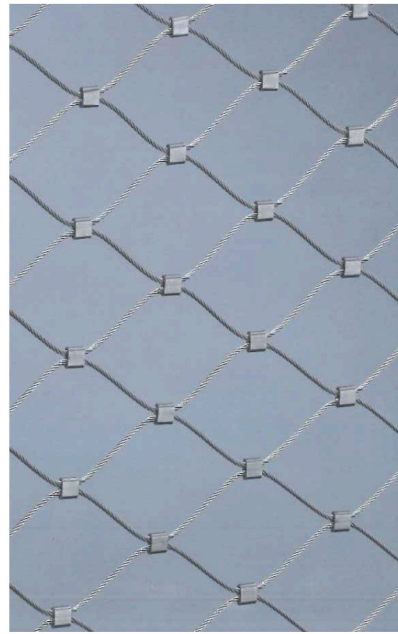


Sill Balustrade

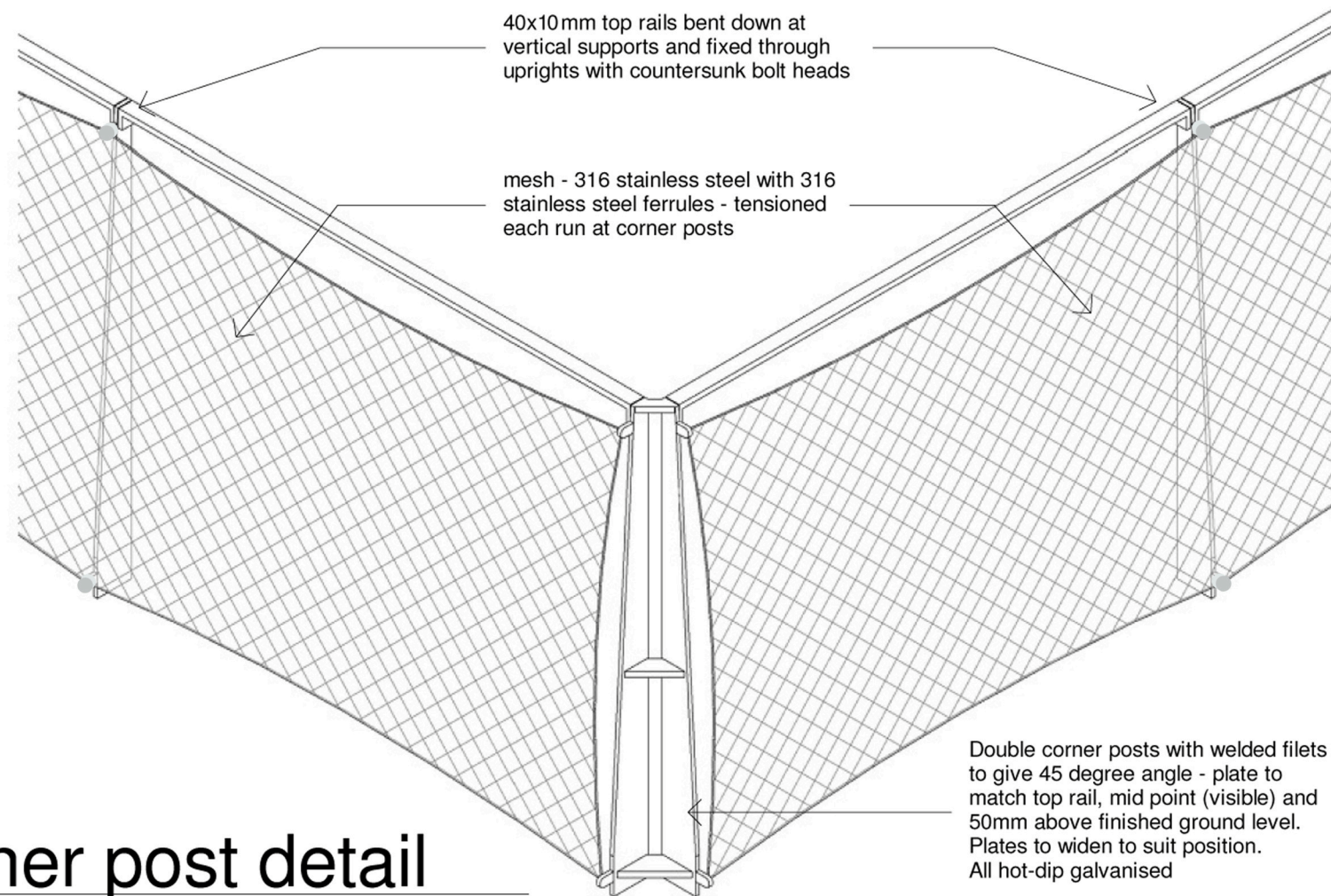
Carl Stahl X-TEND wire mesh in 316 stainless steel - 1.5mm wire diameter with installed mesh size of 40 x 69mm – CXE type with 316 stainless steel ferrules. Mesh supported by stainless steel wires (diam TBC) to support top and bottom edge of mesh and run through eyelets on the supporting posts. Tension force provided to ensure sag between the top & bottom wires does not to exceed building regulations limit of 100mm maximum gap. Rope to be tensioned by external thread terminal through fixing bracket

Generally vertical posts at 1500mm centres, however some areas require closer (nom 1m) centers to allow for gathering areas & loads.

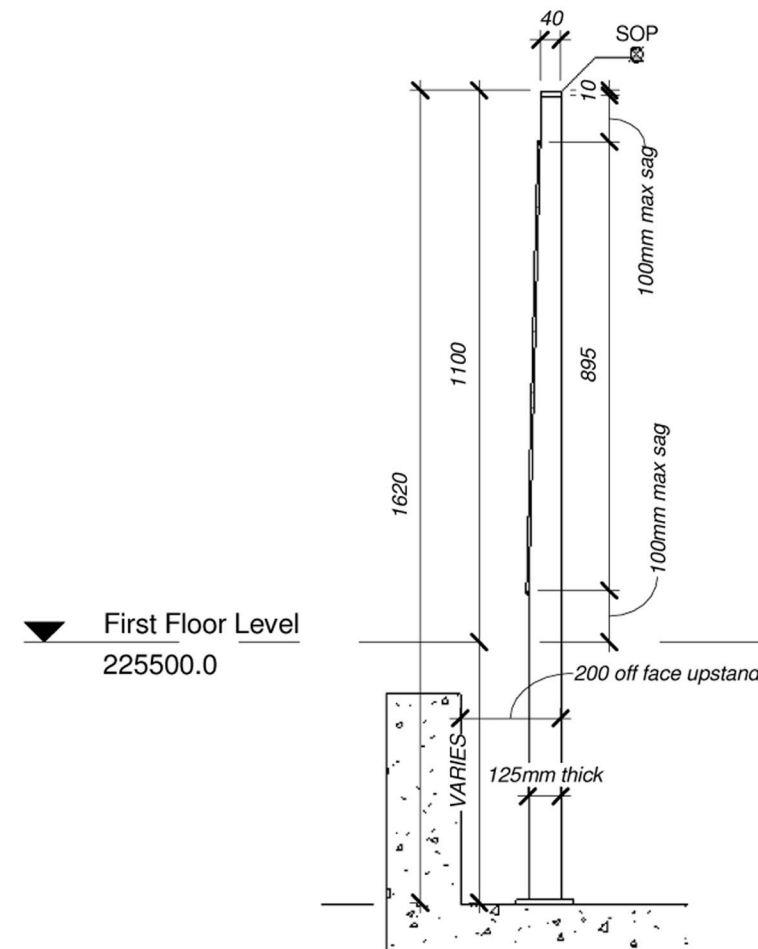
Designed loadings to be based on BS6180 : 2011 Table 2 - 1.5Kn/m generally and where centres at 1m round viewing platforms loads to be 3Kn/m



Railing joint detail



Corner post detail



Approved railing section

Kirkwood Hospice, Huddersfield

