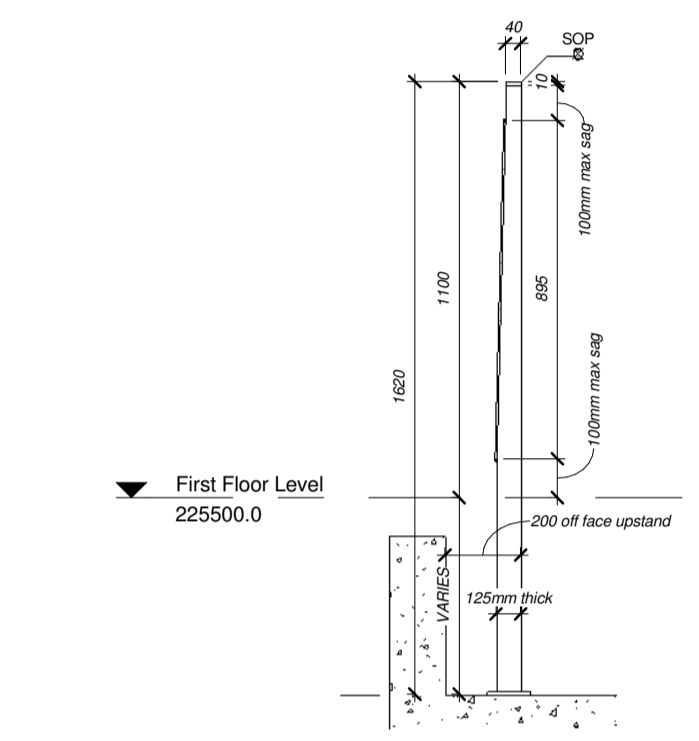


**1 Approved railing design - Elevation**  
1 : 20

Carl Stahl X-TEND wire mesh in 316 stainless steel - 1.5mm wire diameter with installed mesh size of 40 x 69mm - CXE type with 316 stainless steel ferrules. Mesh supported by stainless steel wires (diam TBC) to support top and bottom edge of mesh and run through eyelets on the supporting posts. Tension force provided to ensure sag between the top & bottom wires does not to exceed building regulations limit of 100mm maximum gap. Rope to be tensioned by external thread terminal through fixing bracket.

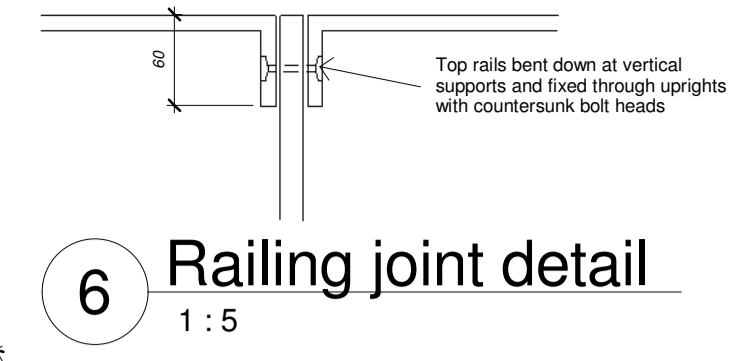
Generally vertical posts at 1500mm centres, however some areas require closer (nom 1m) centres to allow for gathering areas & loads.

Designed loadings to be based on BS6180 : 2011 Table 2 - 1.5kN/m generally and where centres at 1m round viewing platforms loads to be 3kN/m

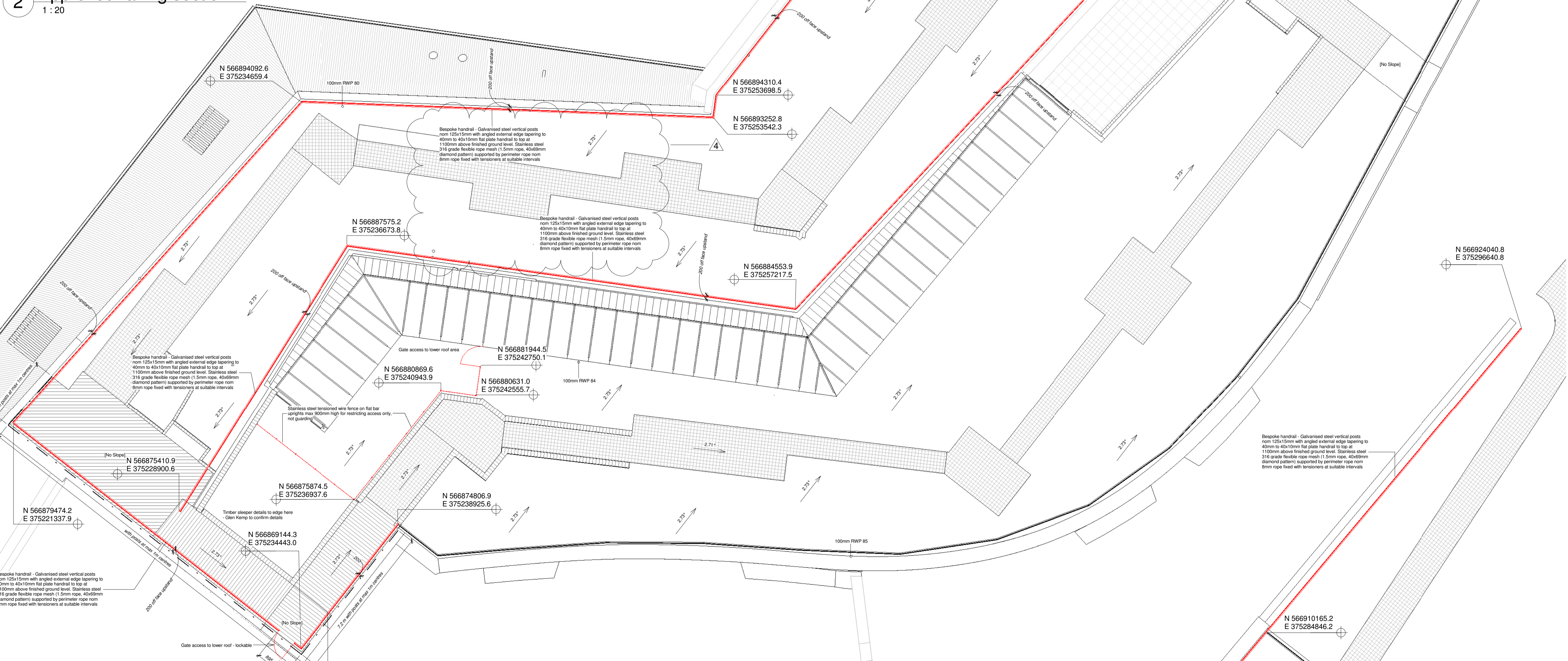


**2 Approved railing section**  
1 : 20

**5 Corner post detail**  
1 : 10



**6 Railing joint detail**  
1 : 5



**3 Roof Railing Set Out**  
1 : 100

**4 Roof Railing Set Out-North end**  
1 : 100

- NOTES:
- DO NOT SCALE from the drawing
  - Further dimensions required to be requested from the project technical team
  - Report discrepancies to JDDK project team immediately.
  - This model file contains the following consultants model files:-
    - 3736-CAD-ZZ-XX-M3-ME-001-The\_Sill
    - The\_Sill\_Model (2015.06.12)

REV	BY	DATE	DESCRIPTION
G 4	MH	2016.06.09	Add loadings note from Engineer, and revise mesh thickness to 1.5mm
G 3	MH	2016.06.02	Add corner post detail, railing detail and mesh and post specification to drawing
C 2	MH	2016.05.16	Add dims to railing offset. Minor adjustments to position of railings to roof, 200mm offset indicated
G 1	MH	2016.05.05	Correct specification notes for railing mesh

**Jane Darbyshire and David Kendall Ltd**  
Chartered Architects and Landscape Architects

Millmount Portland Road  
Newcastle Upon Tyne  
NE5 3AL  
Telephone +44 191 286 0811  
Facsimile +44 191 286 3870  
email millmount@jddk.co.uk  
www.jddk.co.uk

CLIENT		NNPA/YHA	
PROJECT TITLE		THE SILL PROJECT	
TITLE		RAILING LAYOUT TO ROOF	
MAIN CONTRACTOR		SIR ROBERT McALPINE	
QUANTITY SURVEYOR	M&E CONSULTANT		
GARDNER & THEOBOLD	CAD21		
STRUCTURAL CONSULTANT	OTHER CONSULTANT		
PATRICK PARSONS			
DRAWING No.	REV		
SIL-JDDK-XX-XX-DR-A-(37)20212 C4			
JDDK INTERNAL REF: 3314	JDDK REF NO: 20.212		
SCALE: As indicated @ A1	ISSUE DATE: 03/16/16		
DRAWN BY: Author	CHECKED BY: Checker		
STATUS: S1	PURPOSE OF ISSUE: PRELIMINARY		