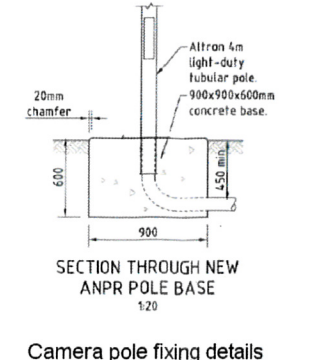
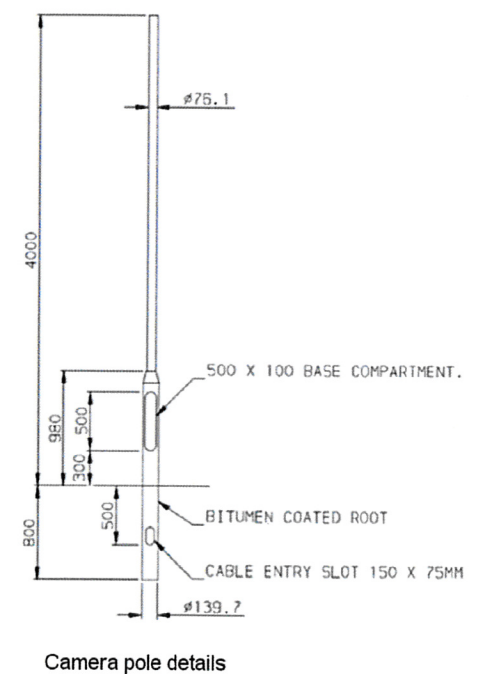
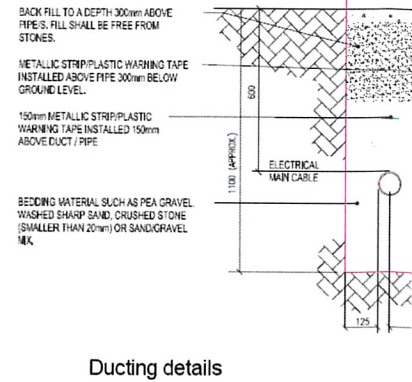
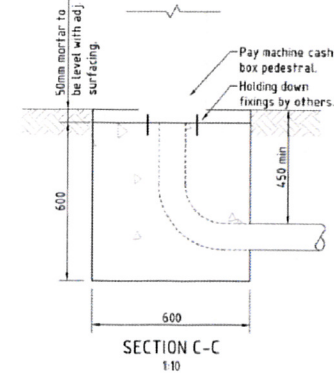
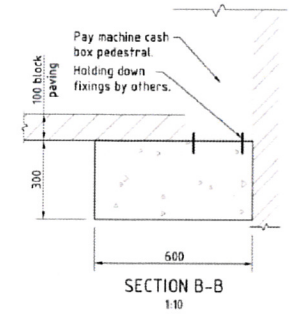
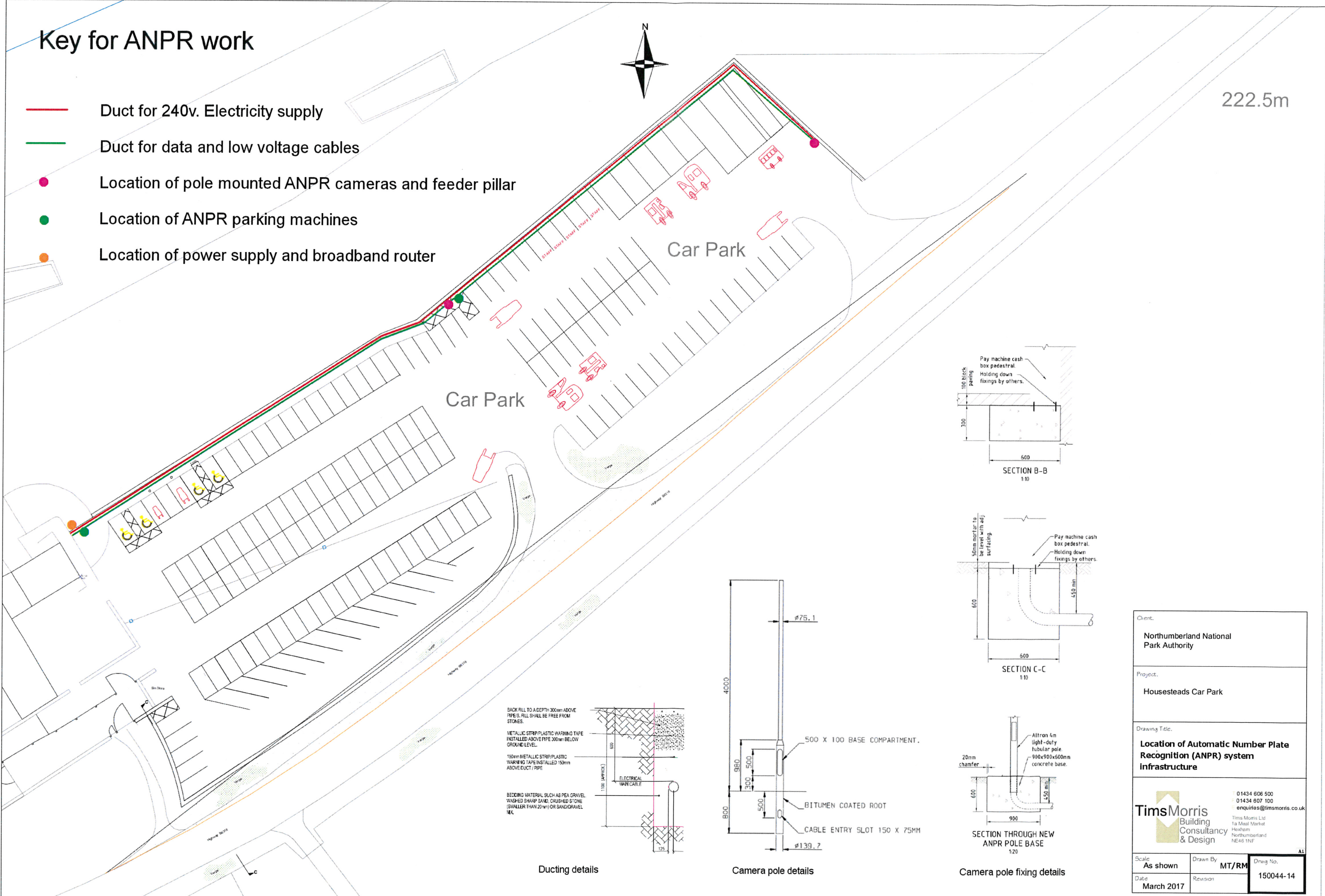


Key for ANPR work

- Duct for 240v. Electricity supply
- Duct for data and low voltage cables
- Location of pole mounted ANPR cameras and feeder pillar
- Location of ANPR parking machines
- Location of power supply and broadband router



Client:	Northumberland National Park Authority	
Project:	Housesteads Car Park	
Drawing Title:	Location of Automatic Number Plate Recognition (ANPR) system infrastructure	
Scale:	As shown	Drawn By: MT/RM
Date:	March 2017	Revision:
Drawn No.:	150044-14	

TimsMorris
Building Consultancy & Design

01434 606 500
01434 607 100
enquiries@timsorris.co.uk

Tims Morris Ltd
1a Mill Market
Hexham
Northumberland
NE46 1NF