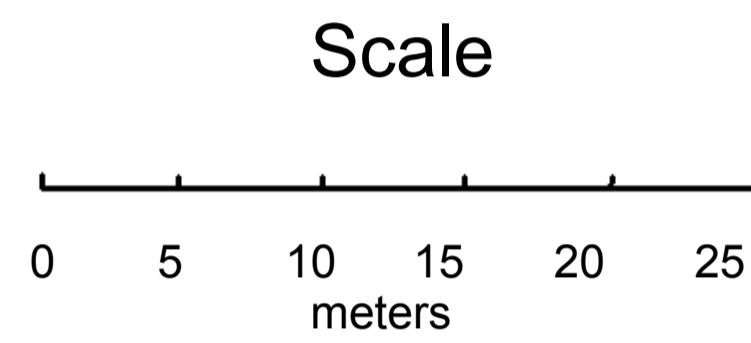
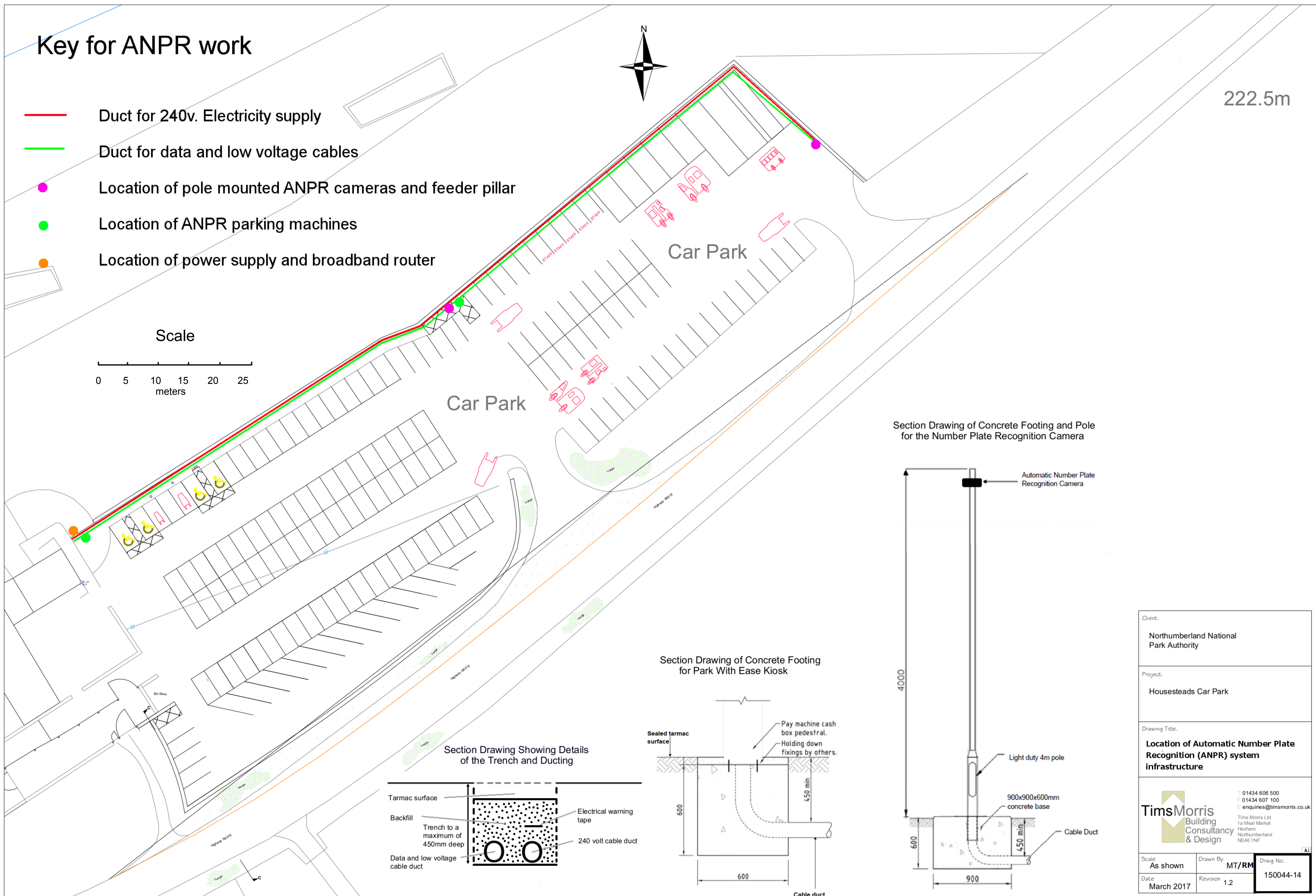


Key for ANPR work

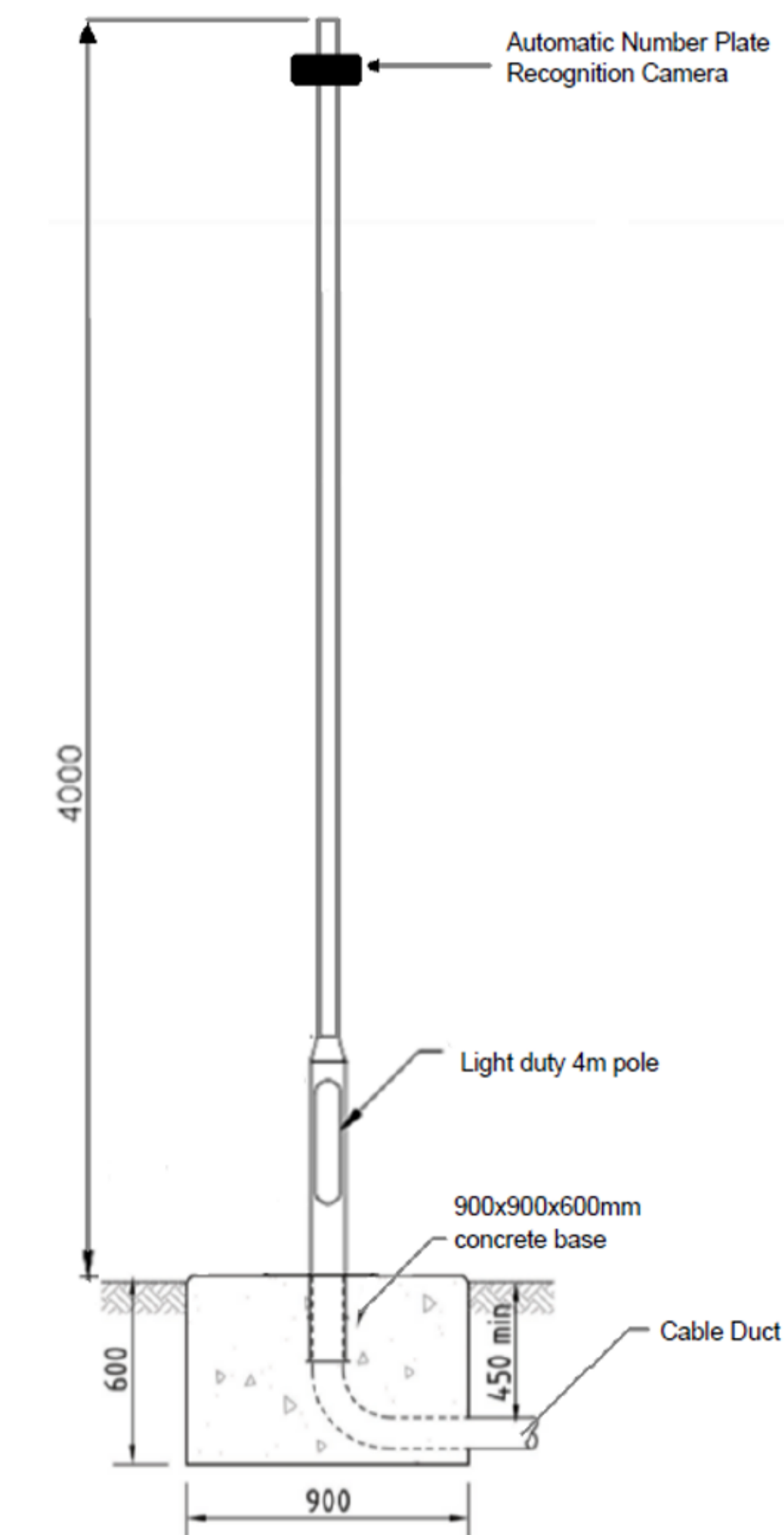
- Duct for 240v. Electricity supply
- Duct for data and low voltage cables
- Location of pole mounted ANPR cameras and feeder pillar
- Location of ANPR parking machines
- Location of power supply and broadband router



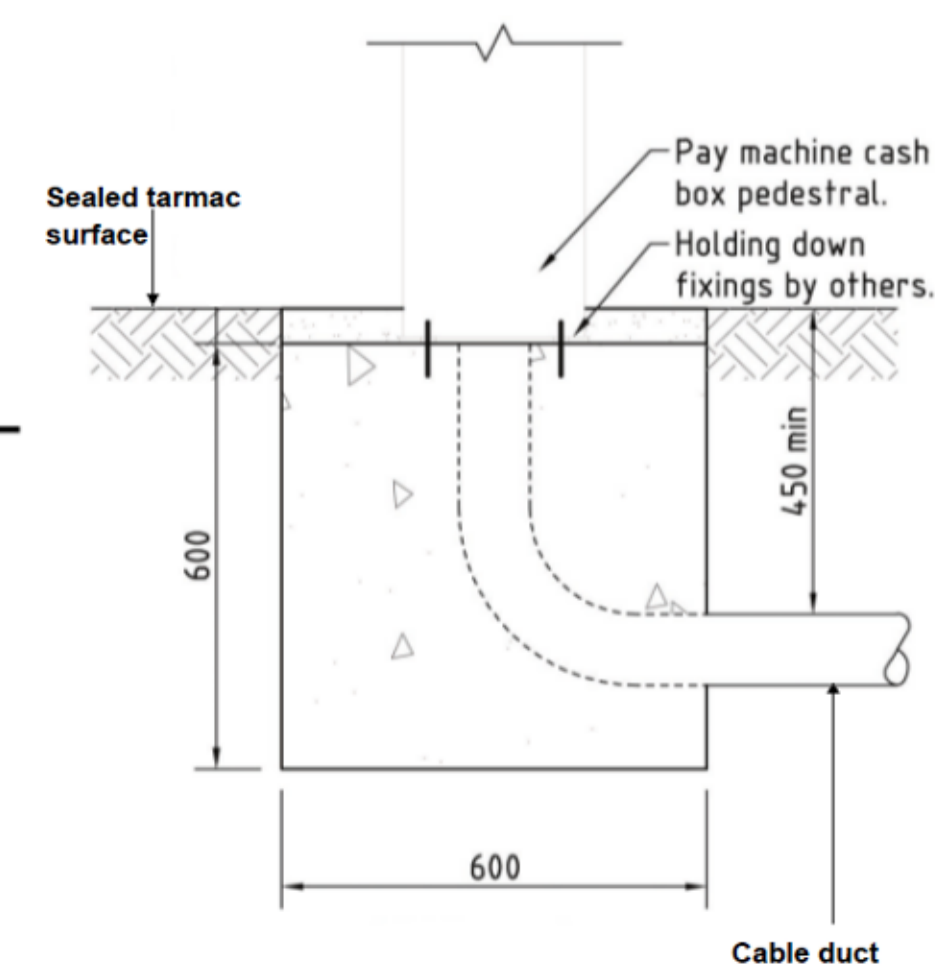
222.5m



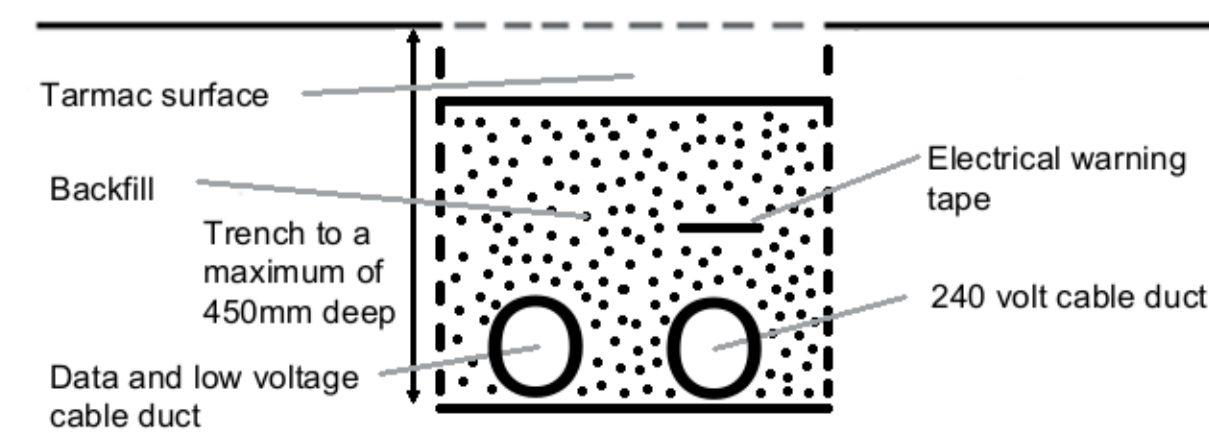
Section Drawing of Concrete Footing and Pole for the Number Plate Recognition Camera



Section Drawing of Concrete Footing for Park With Ease Kiosk



Section Drawing Showing Details of the Trench and Ducting



Client.		
Northumberland National Park Authority		
Project.		
Housesteads Car Park		
Drawing Title.		
Location of Automatic Number Plate Recognition (ANPR) system infrastructure		
T 01434 606 500 F 01434 607 100 E enquiries@timsorris.co.uk Tims Morris Ltd 1a Meal Market Hexham Northumberland NE46 1NF		
Scale	Drawn By	Drwg No.
As shown	MT/RM	150044-14
Date	Revision	
March 2017	1.2	