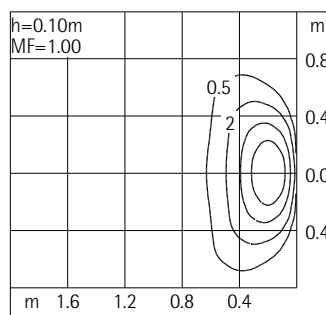


33733.000 Graphit m
LED 1.7W 230V AC 64lm 3000K warm white
Version 2

Product description
Housing: corrosion-resistant cast aluminium, No-Rinse surface treatment. Graphit m, double powder-coated. Fixing element: polymer. Clamp extension 7-20mm.
2 cable entries. Through-wiring possible. 3-pole terminal block.
Asymmetric reflector lens system: aluminium, silver anodised. Optimised screening for the LEDs ensures no direct light emission. LED module.
Cover frame with Softec lens: corrosion-resistant cast aluminium, graphit m double powder-coated.
Protection mode IP65: dust-proof and water jet-proof.
Weight 0.85kg



Technical data

Luminous flux of the luminaire	16lm
Connected load	2W
Luminaire efficacy	8lm/W
Colour deviation	--
Colour rendition index	--
Lumen maintenance	L70/B50 ≤50000h
LED failure rate	0.1% ≤50000h
Dimming range	--
Dimming method	--
LMF	E
Energy efficiency class	EEI A
Standby power per control gear	--
Luminaires per circuit breaker B16	--

For your regional contact in the ERCO Sales network click here www.erco.com/contact

Technical Region: 220V-240V/50Hz
We reserve the right to make technical and design changes.
Edition: 06.12.2016
Current version under www.erco.com/33733.000

Planning data

Cleaning (a)	1				2				3			
	P	C	N	D	P	C	N	D	P	C	N	D
LMF	0.96	0.94	0.90	0.86	0.93	0.91	0.86	0.81	0.92	0.90	0.84	0.79
RSMF	0.97	0.95	0.91	0.86	0.97	0.94	0.90	0.86	0.97	0.94	0.90	0.86

Hours of operation (h)	1000	10000	20000	30000	40000	50000
LLMF	0.99	0.94	0.88	0.82	0.76	0.70
LSF	1	1	1	1	1	1

- MF LMFxRSMFxLLMFxLSF
- MF Maintenance Factor
- LMF Luminaire Maintenance Factor
- RSMF Room Surface Maintenance Factor
- LLMF Lamp Lumens Maintenance Factor
- LSF Lamp Survival Factor
- P Room pure
- C Room clean
- N Room normal
- D Room dirty

Technical data based on international standards and directives

- IEC 60598 Luminaires – Parts 1+2: General requirements, particular requirements and tests
- IEC 62031 LED modules for general lighting – Safety specifications
- IEC 62471 Photobiological safety of lamps and lamp systems
- EN 13032-4 Light and lighting – Measurement and presentation of photometric data of lamps and luminaires
- CIE 13 Method of measuring and specifying colour rendering of light sources

Accessories



34974.000
 Distribution box, IP68
 With four cable entries, 7-25mm.
 Polymer.
 ø 102mm, L 305mm.
 Weight 0.47kg
CE IP 68 3m



33732.000
 Concrete housing
 Metal, hot-dip galvanised.
 Recommended 0-8mm aggregate for
 the concrete.
 Weight 0.94kg

