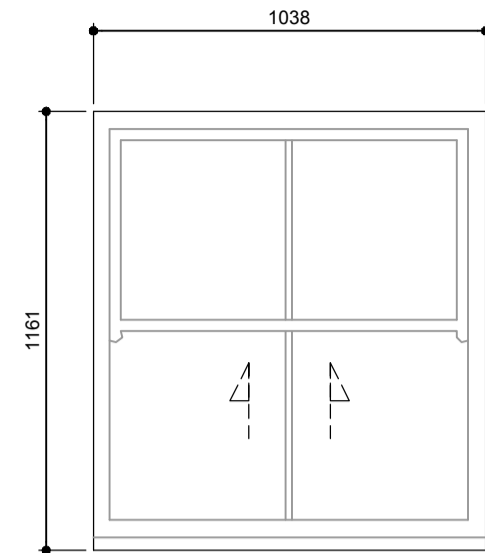
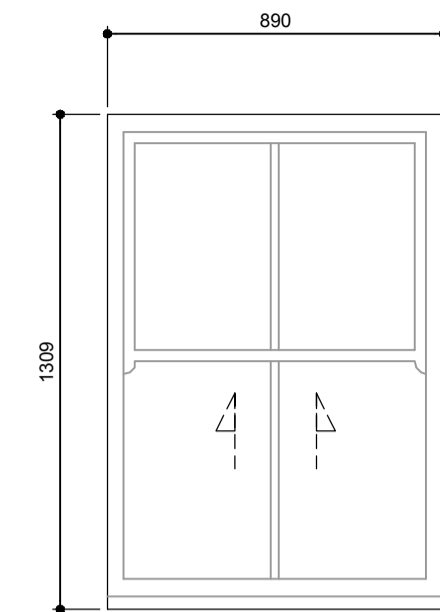


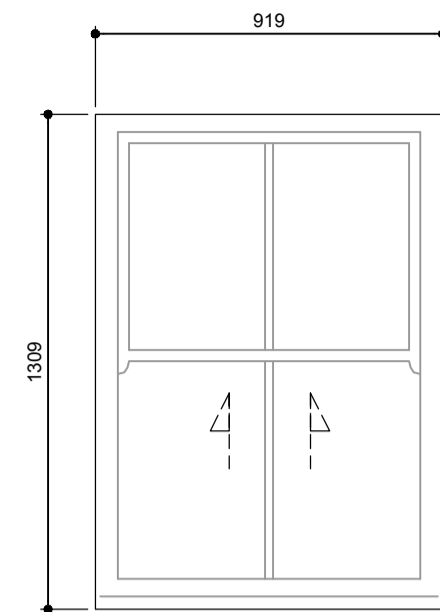
WINDOW TYPES @1:20



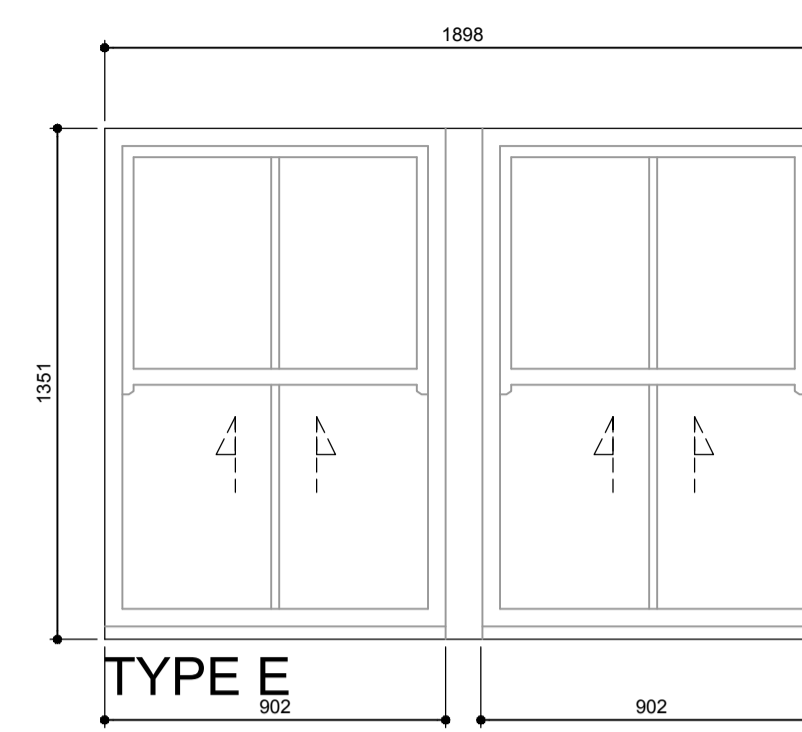
TYPE B



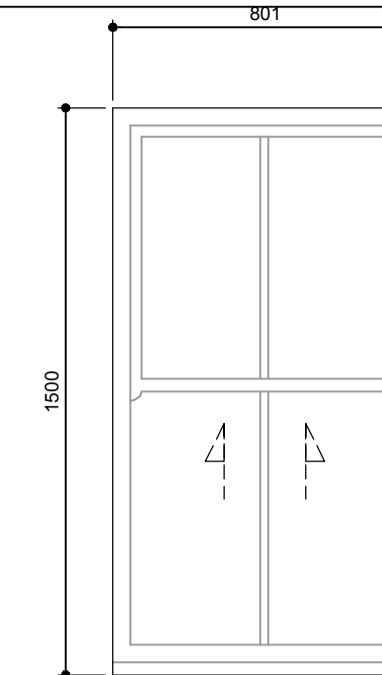
TYPE C



TYPE D

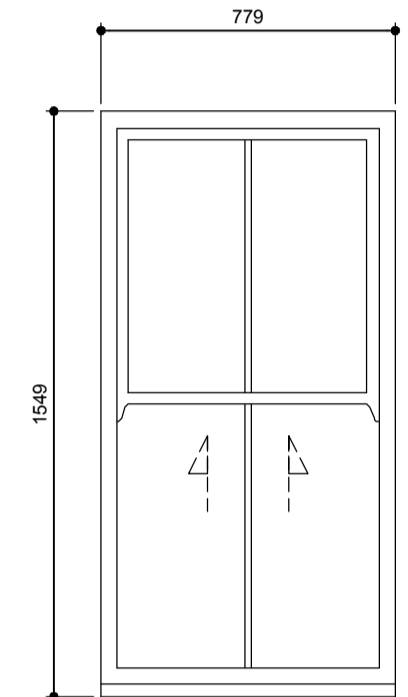


TYPE E

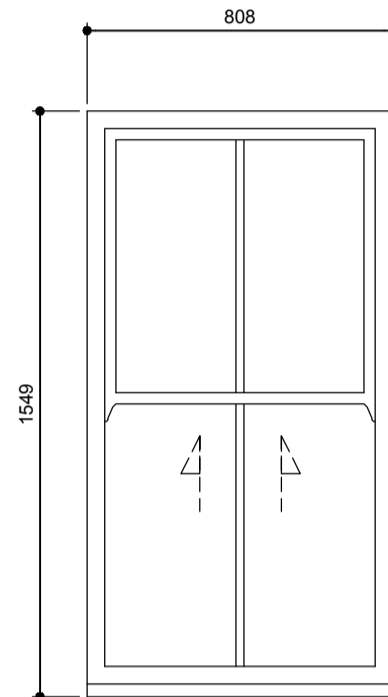


TYPE F

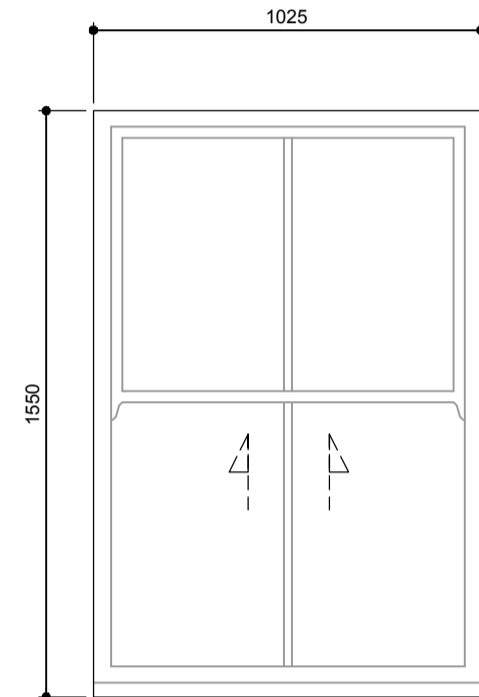
WINDOW TYPES @1:20



TYPE G



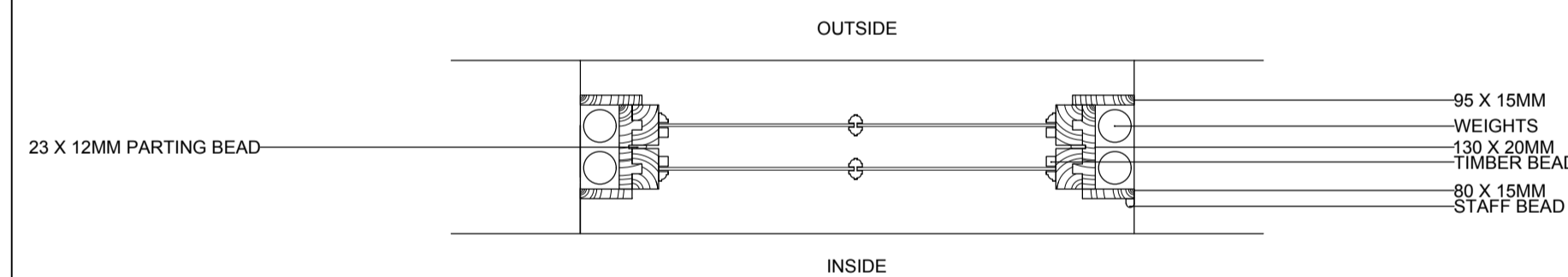
TYPE H



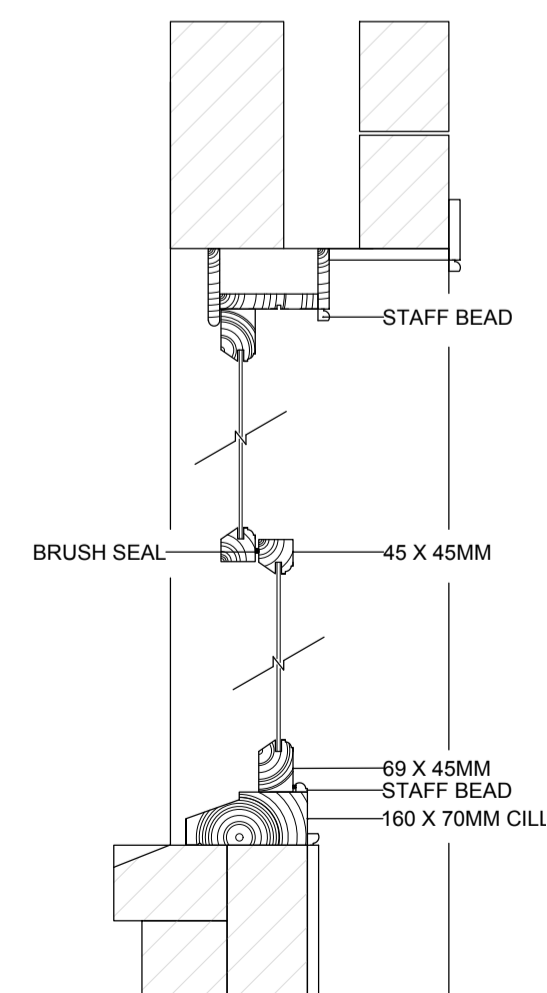
TYPE J

ALL WINDOW SIZES TO BE CONFIRMED ON SITE BY MANUFACTURER BEFORE COMMENCEMENT OF WORKS

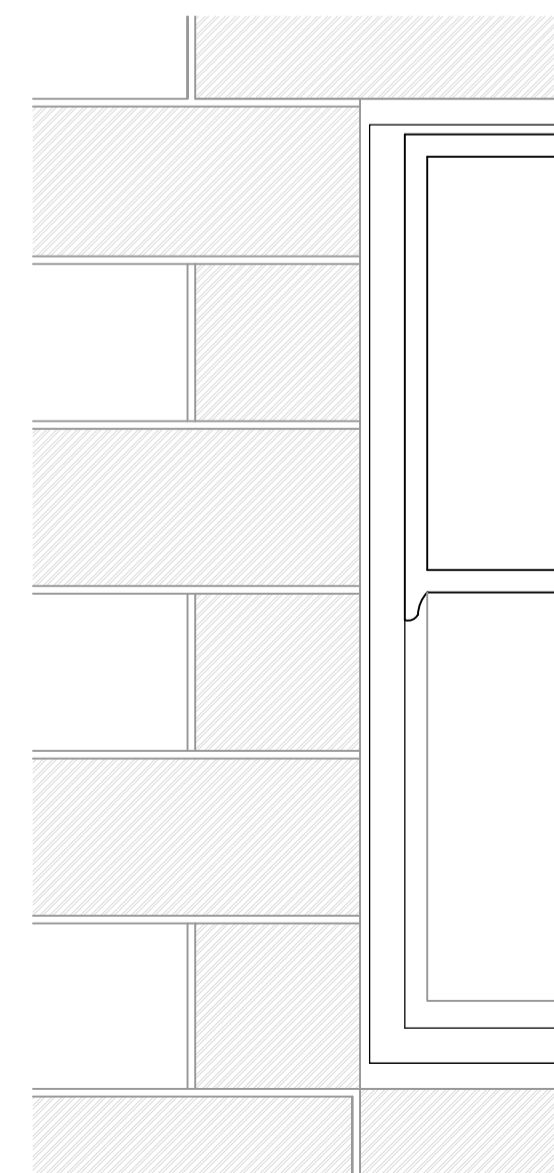
WINDOW JAMB @1:10



WINDOW HEAD & CILL @1:10



WINDOW HORN @1:10



WINDOW HORN SHAPE TO BE TAKEN FROM EXISTING AND MATCHED BY MANUFACTURER BEFORE COMMENCEMENT OF WORKS.

GROUND FLOOR

WINDOW	TYPE	LOCATION	STRUCTURAL OPENING		MATERIAL	FINISH	BALANCES	RESTRICTOR	GLAZING
			HEIGHT	WIDTH					
WG01	TYPE G	LOUNGE	1549mm	779mm	EUROPEAN HARDWOOD	TEKNOS MICROPOROUS SYSTEM. COLOR: TBC	TRADITIONAL WEIGHTED	YES	4MM SINGLE PANE
WG02	TYPE G	LOUNGE	1549mm	779mm	EUROPEAN HARDWOOD	TEKNOS MICROPOROUS SYSTEM. COLOR: TBC	TRADITIONAL WEIGHTED	YES	4MM SINGLE PANE
WG03	TYPE A	PORCH	901mm	504mm	EUROPEAN HARDWOOD	TEKNOS MICROPOROUS SYSTEM. COLOR: TBC	TRADITIONAL WEIGHTED	YES	4MM SINGLE PANE
WG04	TYPE A	PORCH	901mm	504mm	EUROPEAN HARDWOOD	TEKNOS MICROPOROUS SYSTEM. COLOR: TBC	TRADITIONAL WEIGHTED	YES	4MM SINGLE PANE
WG05	TYPE G	BAR LOUNGE	1549mm	779mm	EUROPEAN HARDWOOD	TEKNOS MICROPOROUS SYSTEM. COLOR: TBC	TRADITIONAL WEIGHTED	YES	4MM SINGLE PANE
WG06	TYPE G	BAR LOUNGE	1549mm	779mm	EUROPEAN HARDWOOD	TEKNOS MICROPOROUS SYSTEM. COLOR: TBC	TRADITIONAL WEIGHTED	YES	4MM SINGLE PANE
WG07	TYPE G	LADIES	1549mm	779mm	EUROPEAN HARDWOOD	TEKNOS MICROPOROUS SYSTEM. COLOR: TBC	TRADITIONAL WEIGHTED	YES	4MM SINGLE PANE
WG08	TYPE E	BAR LOUNGE	1351mm	1898mm	EUROPEAN HARDWOOD	TEKNOS MICROPOROUS SYSTEM. COLOR: TBC	TRADITIONAL WEIGHTED	YES	4MM SINGLE PANE
WG09	TYPE B	UTILITY	1161mm	1038mm	EUROPEAN HARDWOOD	TEKNOS MICROPOROUS SYSTEM. COLOR: TBC	TRADITIONAL WEIGHTED	YES	4MM SINGLE PANE
WG10	TYPE D	KITCHEN	1309mm	919mm	EUROPEAN HARDWOOD	TEKNOS MICROPOROUS SYSTEM. COLOR: TBC	TRADITIONAL WEIGHTED	YES	4MM SINGLE PANE
WG11	TYPE D	KITCHEN	1309mm	919mm	EUROPEAN HARDWOOD	TEKNOS MICROPOROUS SYSTEM. COLOR: TBC	TRADITIONAL WEIGHTED	YES	4MM SINGLE PANE
WG12	TYPE J	DINING	1550mm	1025mm	EUROPEAN HARDWOOD	TEKNOS MICROPOROUS SYSTEM. COLOR: TBC	TRADITIONAL WEIGHTED	YES	4MM SINGLE PANE
WG13	TYPE H	DINING	1550mm	1025mm	EUROPEAN HARDWOOD	TEKNOS MICROPOROUS SYSTEM. COLOR: TBC	TRADITIONAL WEIGHTED	YES	4MM SINGLE PANE
WG14	TYPE H	LOBBY	1549mm	808mm	EUROPEAN HARDWOOD	TEKNOS MICROPOROUS SYSTEM. COLOR: TBC	TRADITIONAL WEIGHTED	YES	4MM SINGLE PANE

FIRST FLOOR

WINDOW	TYPE	LOCATION	STRUCTURAL OPENING		MATERIAL	FINISH	BALANCES	RESTRICTOR	GLAZING
			WIDTH	HEIGHT					
WFO1	TYPE F	BEDROOM	1500mm	801mm	EUROPEAN HARDWOOD	TEKNOS MICROPOROUS SYSTEM. COLOR: TBC	TRADITIONAL WEIGHTED	YES	4MM SINGLE PANE
WFO2	TYPE F	EN SUITE	1500mm	801mm	EUROPEAN HARDWOOD	TEKNOS MICROPOROUS SYSTEM. COLOR: TBC	TRADITIONAL WEIGHTED	YES	4MM SINGLE PANE
WFO3	TYPE F	BEDROOM	1500mm	801mm	EUROPEAN HARDWOOD	TEKNOS MICROPOROUS SYSTEM. COLOR: TBC	TRADITIONAL WEIGHTED	YES	4MM SINGLE PANE
WFO4	TYPE F	BEDROOM	1500mm	801mm	EUROPEAN HARDWOOD	TEKNOS MICROPOROUS SYSTEM. COLOR: TBC	TRADITIONAL WEIGHTED	YES	4MM SINGLE PANE
WFO5	TYPE F	BEDROOM	1500mm	801mm	EUROPEAN HARDWOOD	TEKNOS MICROPOROUS SYSTEM. COLOR: TBC	TRADITIONAL WEIGHTED	YES	4MM SINGLE PANE
WFO6	TYPE F	BEDROOM	1500mm	801mm	EUROPEAN HARDWOOD	TEKNOS MICROPOROUS SYSTEM. COLOR: TBC	TRADITIONAL WEIGHTED	YES	4MM SINGLE PANE
WFO7	TYPE F	BEDROOM	1500mm	801mm	EUROPEAN HARDWOOD	TEKNOS MICROPOROUS SYSTEM. COLOR: TBC	TRADITIONAL WEIGHTED	YES	4MM SINGLE PANE
WFO8	TYPE F	EN SUITE	1500mm	801mm	EUROPEAN HARDWOOD	TEKNOS MICROPOROUS SYSTEM. COLOR: TBC	TRADITIONAL WEIGHTED	YES	4MM SINGLE PANE
WFO9	TYPE F	BEDROOM	1500mm	801mm	EUROPEAN HARDWOOD	TEKNOS MICROPOROUS SYSTEM. COLOR: TBC	TRADITIONAL WEIGHTED	YES	4MM SINGLE PANE

NOTES
Do not scale from this drawing. Only figured dimensions are to be taken from this drawing.
Contractor must verify all dimensions on site before commencing any work or shop drawings.
Report any discrepancies before commencing work to GW Architectural. If this drawing exceeds the quantities taken in any way the practice should be informed before the work is initiated.
Work within the Construction (Design & Management) Regulations 2015 is not to start until a Construction Phase Plan has been produced. All work is to be carried out in accordance with good building practice and any relevant legislation, British Standards, Codes of Practice, etc., in force at the time of the execution of the works.
This Drawing is Copyright and must not be reproduced without consent of GW Architectural
Drawing Status/Type Key:
F - Feasibility stage drawing
P - Planning stage drawing
T - Tender stage drawing
C - Construction stage
AB - As Built Status
TNT - Tenant drawing
SK - Sketch drawing
M - Marketing drawing
L - Landscape Drawing
S - Survey drawing
OS - Ordnance Survey drawing
Rev. Description Drawn Date Ch'ked Date
A HORN SECTION ADDED PWS 09/01/18 GW

GW Architectural
Architectural Design & Management
Clavering House, Clavering Place, Newcastle upon Tyne, NE1 3NG
Tel. 0191 269 6963 Email: info@gwarchitectural.co.uk

PROJECT
**The Bird in Bush
Eldson
Northumberland**

DRAWING TITLE
Window Drawings

Scale: SHOWN @A1 Drawn By: PWS Date Drawn: Dec '17 Checked By: GW Date Checked: --/--/--

Drawing No. **17029.C12** Revision **A**

Drawing Status
PLANNING