

All rights reserved. No part of this document may be reproduced in any material form (including photocopying or storing in any medium) without the written permission of Northumberland County Council except in accordance with the provisions of Copyright, Designs and Patents Act 1988. Unauthorised reproduction may lead to prosecution or civil proceedings.

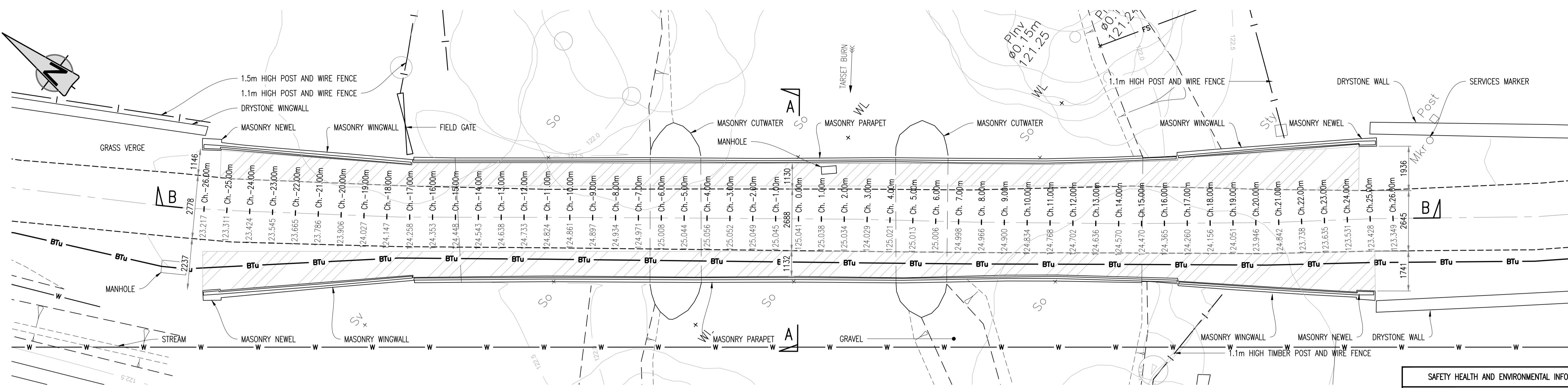
- NOTES:**
- 1.0 GENERAL
 - 1.1 ALL DIMENSIONS IN [mm] UNLESS STATED OTHERWISE.
 - 1.2 ALL LEVELS IN [m] IN REFERENCE TO GPS CO-ORDINATE SYSTEM.
 - 2.0 EXISTING STRUCTURE
 - 2.1 REDMIRE BRIDGE IS A 3No. 8.5m SPAN, 5.4m WIDE, MASONRY ARCH BRIDGE CARRYING THE C199, A SINGLE LANE TWO WAY CARRIAGEWAY OVER TARGET BURN.
 - 2.2 THE BRIDGE HAS A CURRENT ASSESSED LIVE LOAD CAPACITY OF 7.5 TONNES.
 - 2.3 BRIDGE IS GRADE II LISTED.

- LEGEND**
- W WATER - CLEAN
 - FS WATER - SEWER
 - BTU BT UNDERGROUND PLANT

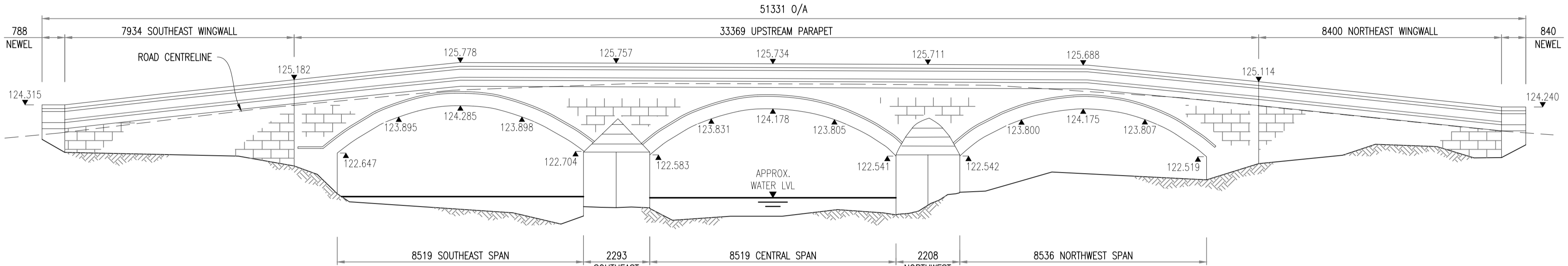
SERVICES SHOWN ARE IN INDICATIVE LOCATIONS. ACTUAL LOCATIONS TO BE CONFIRMED ON SITE PRIOR TO WORKS.

VERGE FORMED FROM SETTS LAID IN CONCRETE

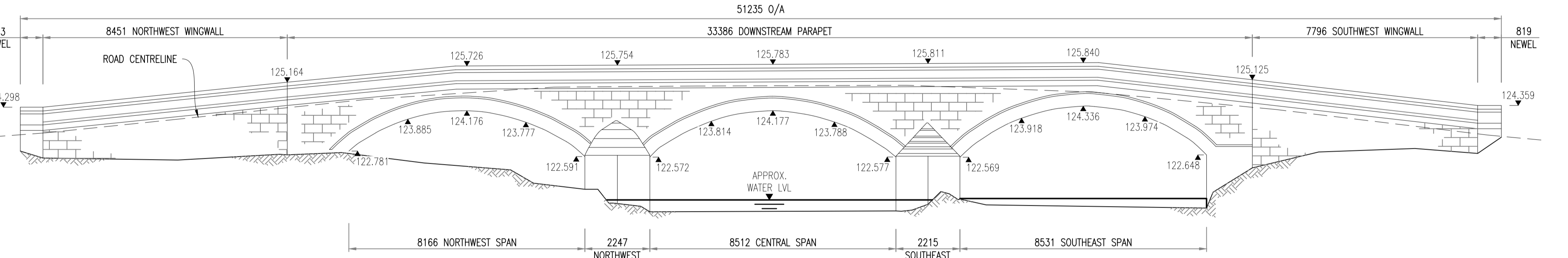
SAFETY HEALTH AND ENVIRONMENTAL INFORMATION	
IN ADDITION TO THE HAZARDS / RISKS NORMALLY ASSOCIATED WITH THE TYPES OF WORK DETAILED ON THIS DRAWING, NOTE THE FOLLOWING RISKS AND INFORMATION.	
RISKS LISTED HERE ARE NOT EXHAUSTIVE. REFER TO DESIGNER'S RISK ASSESSMENT.	
CONSTRUCTION:	<ol style="list-style-type: none"> 1. INSTABILITY OF THE PARAPET HEADWALLS. 2. EXISTING BT CABLE IN DOWNSTREAM VERGE TO BE TEMPORARILY DIVERTED DURING WORKS. 3. REDUNDANT WATER MAIN IN UPSTREAM VERGE TO BE REMOVED.
ENVIRONMENTAL:	<ol style="list-style-type: none"> 1. RED SQUIRREL, BADGER, OTTER, WATER VOLE AND WHITE CLAWED CRAYFISH ABSENCE/PRESENCE SURVEYS ARE RECOMMENDED BEFORE WORKS TAKE PLACE.
MAINTENANCE:	<ol style="list-style-type: none"> 1. THERE ARE NO EXCEPTIONAL RISKS
DECOMMISSIONING:	<ol style="list-style-type: none"> 1. THERE ARE NO EXCEPTIONAL RISKS
FOR INFORMATION RELATING TO MAINTENANCE SEE THE HEALTH AND SAFETY FILE.	
IT IS ASSUMED THAT ALL WORKS WILL BE CARRIED OUT BY A COMPETENT CONTRACTOR WORKING, WHERE APPROPRIATE, TO AN APPROVED METHOD STATEMENT.	



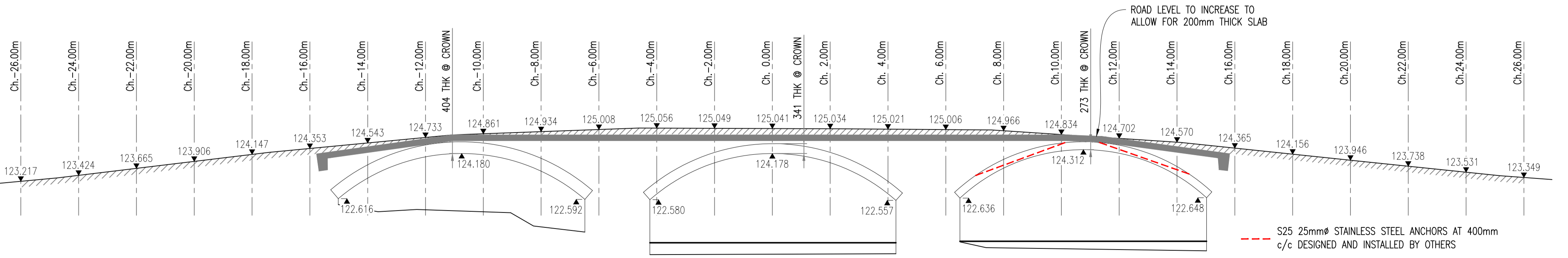
PLAN ON BRIDGE
SCALE: 1:100



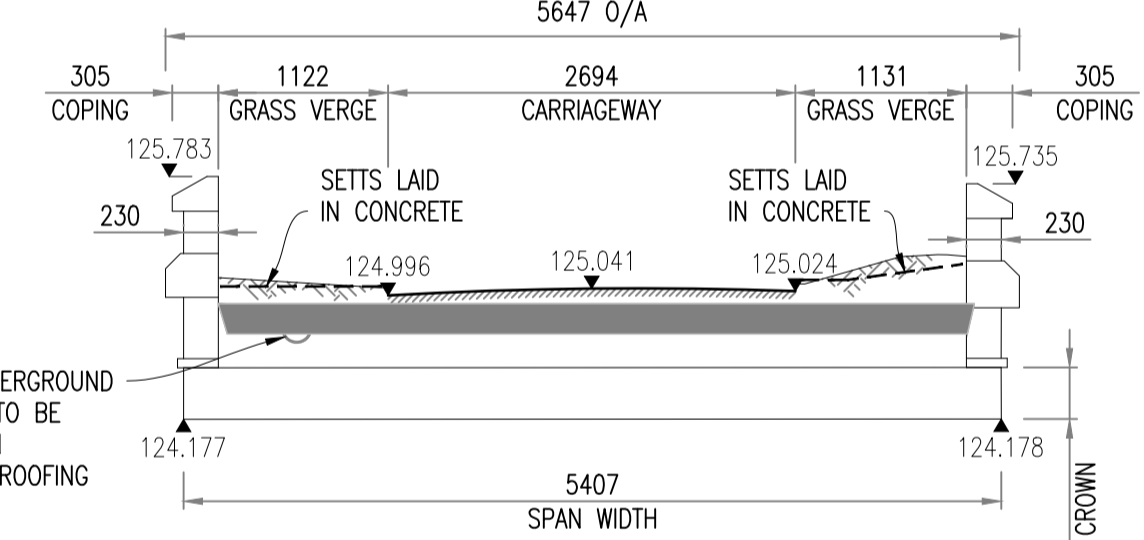
UPSTREAM ELEVATION
SCALE: 1:100



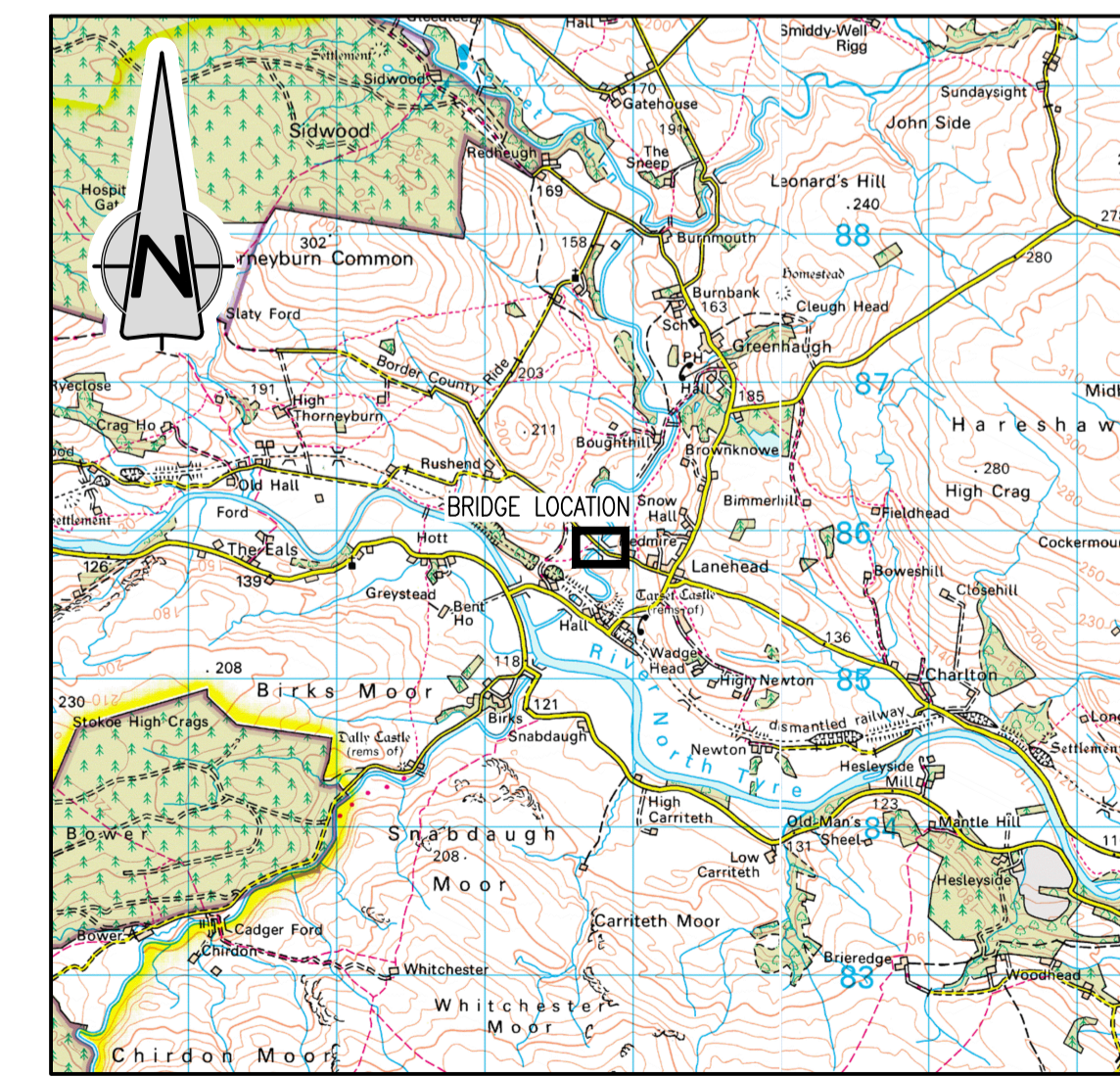
DOWNSTREAM ELEVATION
SCALE: 1:100



LONGITUDINAL SECTION B - B
THRO' CARRIAGEWAY CENTRELINE - SHOWING ARCH BARREL THICKNESS CONFIRMED BY TRIAL PITS ON 5/12/16
SCALE: 1:100



SECTION A - A
THRO' CENTRAL SPAN CROWN
SCALE: 1:50



SITE REFERENCE PLAN
SCALE: 1:50,000

Revision: By: Chk: App: Date: Rev:
 Reproduced from based upon the Ordnance Survey mapping with permission of the Controller of Her Majesty's Stationery Office. © Crown copyright. Unauthorised reproduction infringes Crown copyright and may lead to prosecution or civil proceedings. NORTHUMBERLAND COUNTY COUNCIL - O.S. License No. 100049048 (2009)

LISTED BUILDING CONSENT

Client:
NORTHUMBERLAND COUNTY COUNCIL
COUNTY HALL, MORPETH
NORTHUMBERLAND, NE61 2EF

Job Title:
**REDMIRE BRIDGE
C199/14
MASONRY ARCH REFURBISHMENT**

Drawing Title:
**PROPOSED GENERAL
ARRANGEMENT**

Scale(s):
AS SHOWN