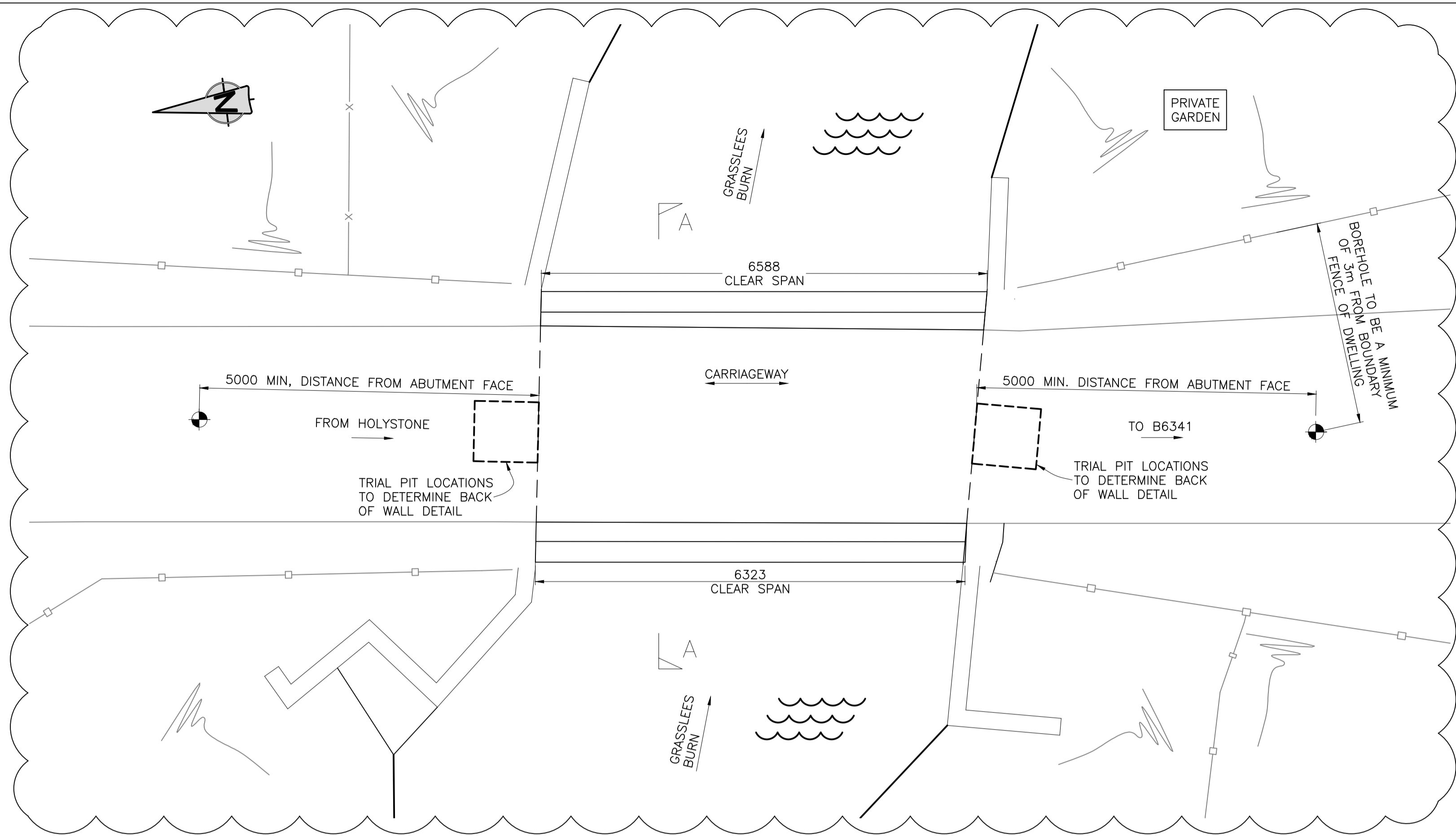


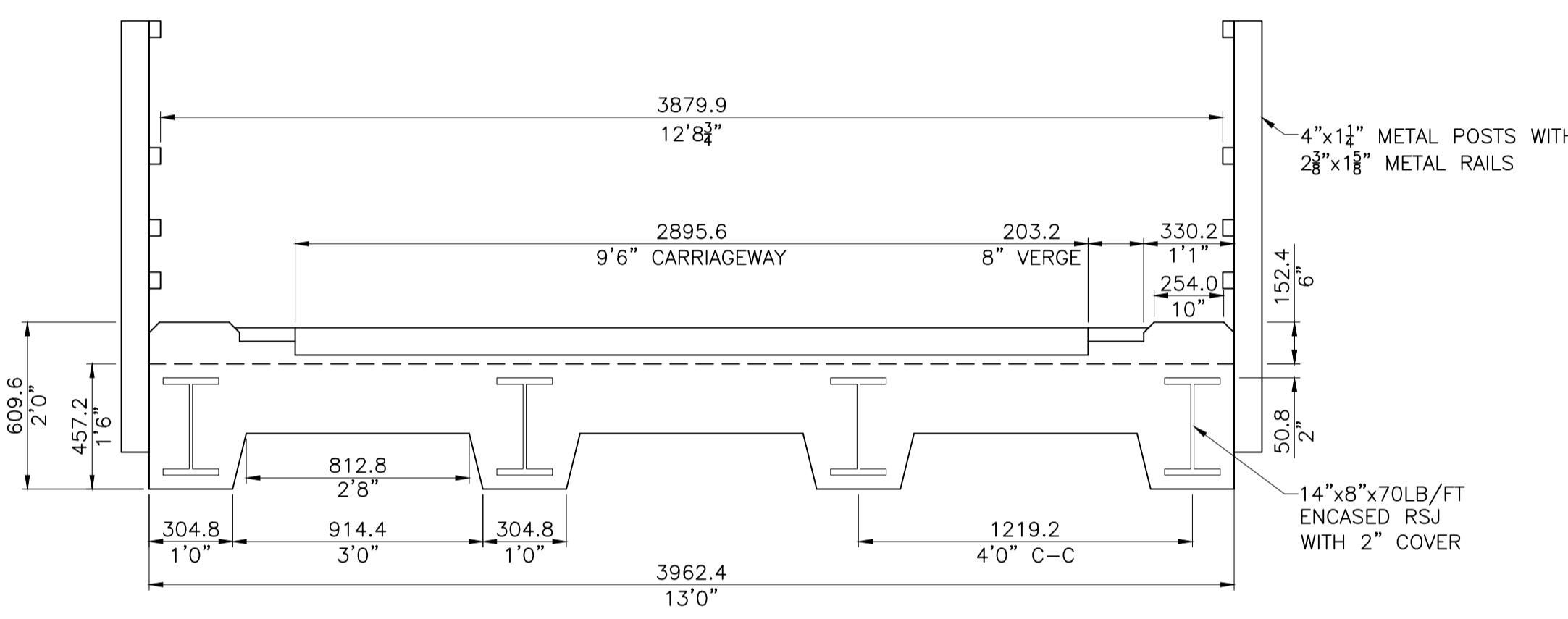
LOCATION PLAN

SCALE 1:20,000

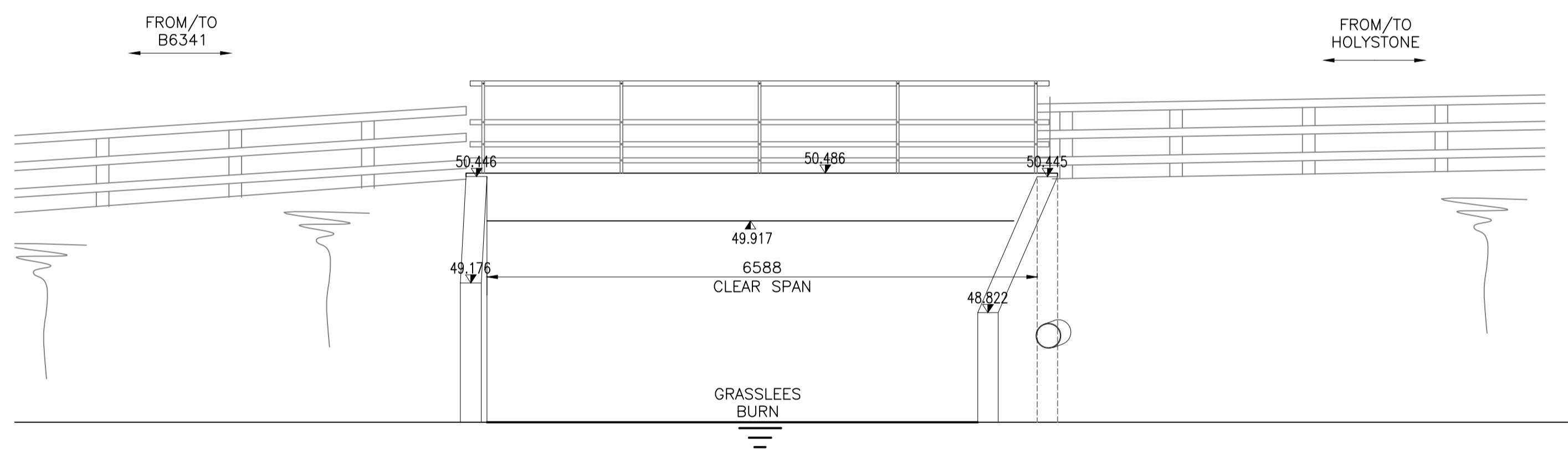
SAFETY HEALTH AND ENVIRONMENTAL INFORMATION	
IN ADDITION TO THE HAZARDS / RISKS NORMALLY ASSOCIATED WITH THE TYPES OF WORK DETAILED ON THIS DRAWING, NOTE THE FOLLOWING RISKS AND INFORMATION.	
RISKS LISTED HERE ARE NOT EXHAUSTIVE. REFER TO DESIGNERS RISK ASSESSMENT.	
CONSTRUCTION:	
1. NOISE AND DUST GENERATED BY WORKS.	
ENVIRONMENTAL:	
1. RUN OFF FROM CORING AND BOREHOLE WORKS SHALL NOT ENTER THE WATERCOURSE.	
MAINTENANCE:	
1. THERE ARE NO EXCEPTIONAL RISKS.	
FOR INFORMATION RELATING TO MAINTENANCE SEE THE HEALTH AND SAFETY FILE.	
IT IS ASSUMED THAT ALL WORKS WILL BE CARRIED OUT BY A COMPETENT CONTRACTOR WORKING, WHERE APPROPRIATE, TO AN APPROVED METHOD STATEMENT.	



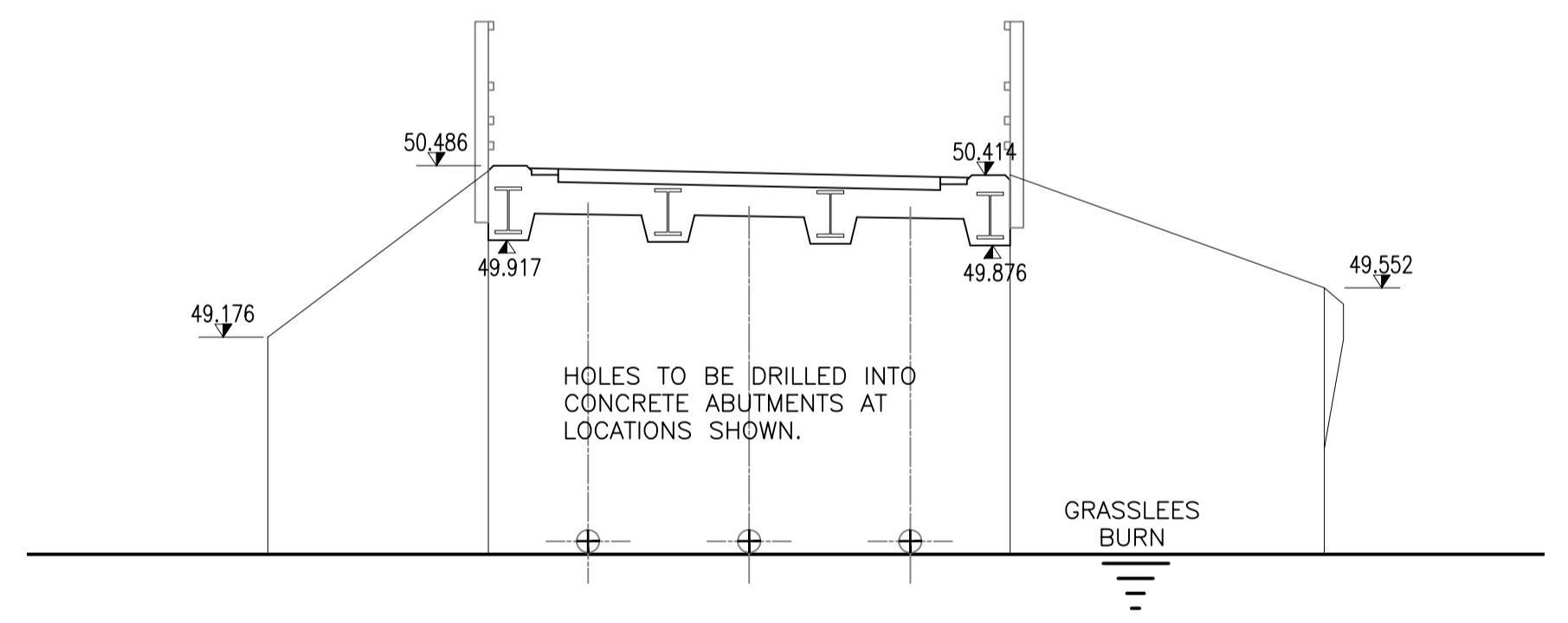
PLAN  
SCALE 1:50



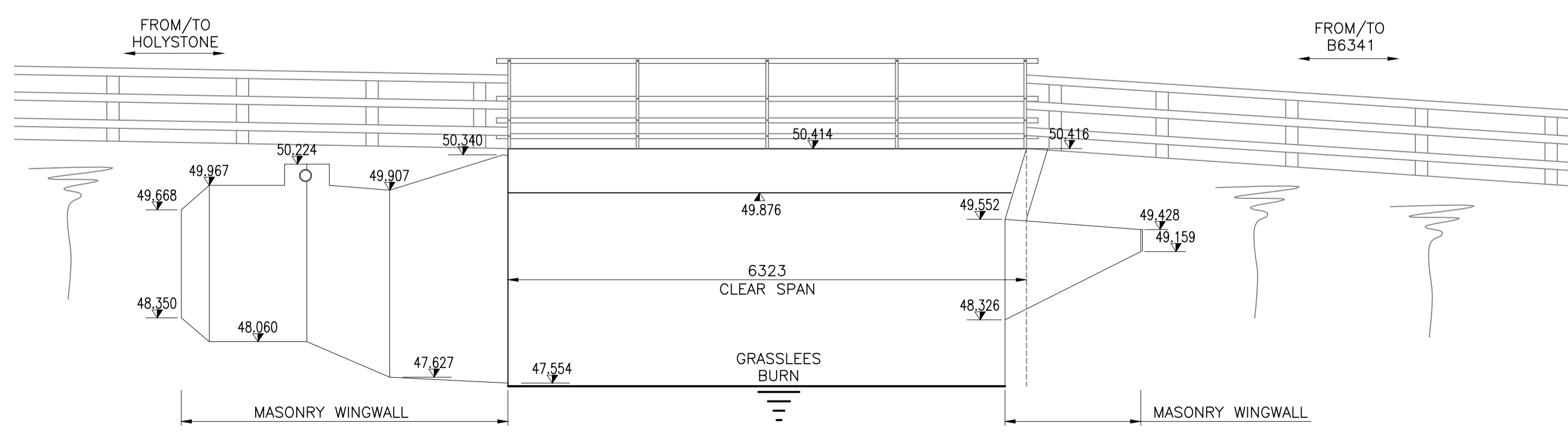
CROSS SECTION A-A  
SCALE 1:20



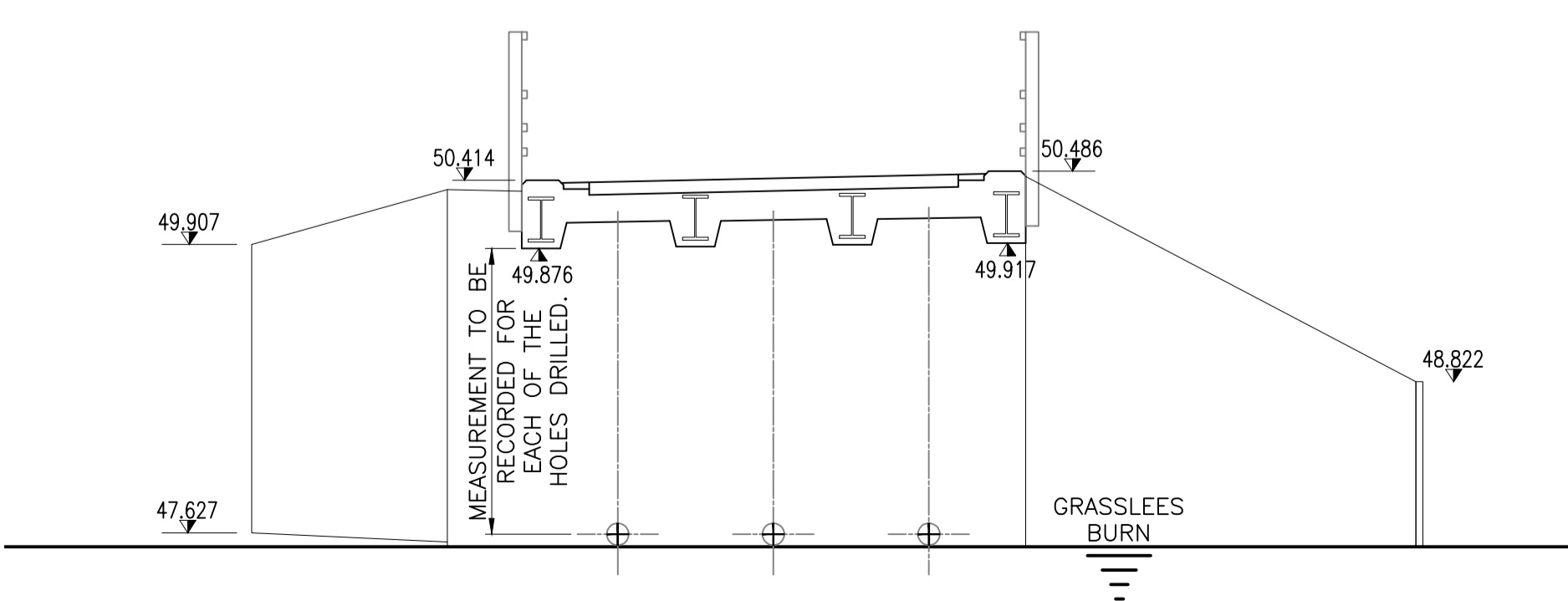
EAST ELEVATION  
(DOWNSTREAM)  
SCALE 1:50



ELEVATION ON SOUTH ABUTMENT  
SCALE 1:50



WEST ELEVATION  
(UPSTREAM)  
SCALE 1:50



ELEVATION ON NORTH ABUTMENT  
SCALE 1:50

All rights reserved. No part of this document may be reproduced in any material form (including photocopying or storing in any medium) without the written permission of Northumberland County Council except in accordance with the provisions of Copyright, Designs and Patents Act 1988. Unauthorised reproduction may lead to prosecution or civil proceedings.

- NOTES:**
- GENERAL**
    - ALL DIMENSIONS IN [mm] UNLESS STATED OTHERWISE.
    - ALL LEVELS IN [m] IN REFERENCE TO GPS CO-ORDINATE SYSTEM.
  - EXISTING STRUCTURE**
    - SWINDON KENNELS BRIDGE CARRIES THE C180 OVER THE GRASSLEES BURN. THE BRIDGE COMPRISES A SINGLE 6.78m SQUARE SPAN, ENCASED BEAM DECK ON MASONRY ABUTMENTS.

**KEY**

	DENOTES LOCATION OF PROPOSED BOREHOLES
	DENOTES LOCATION OF PROPOSED DRILL HOLES IN EACH ABUTMENT, TO BE TAKEN AS CLOSE TO THE WATER LEVEL (ON THE DAY) AS IS POSSIBLE, AND A MEASUREMENT TO BE RECORDED FOR EACH HOLE FROM THE SOFFIT OF THE BRIDGE. =
	DENOTES TRIAL PIT LOCATION

GENERAL REVISION:

PF	REC	20
By:	Chk:	App: Date:

Reproduced from based upon the Ordnance Survey mapping with permission of the Controller of Her Majesty's Stationery Office. © Crown copyright. Unauthorised reproduction infringes Crown copyright and may lead to prosecution or civil proceedings. NORTHUMBERLAND COUNTY COUNCIL - O.S. License No. 100049048 (2009)

Drawing Status: **PRELIMINARY**

Client: NORTHUMBERLAND COUNTY COUNCIL  
COUNTY HALL, MORPETH  
NORTHUMBERLAND, NE61 2EF

Job Title: **SWINDON KENNELS**

Drawing Title: **EXISTING GENERAL ARRANGEMENT**

Scale: AS SHOWN

Drawn: JT	Date: Oct'19	Checked: MDW	Passed: JLR
Drawing Number: HB187325/B/C180/01/01	Revision: A		
Oracle Number: HB187325			