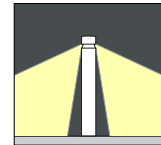
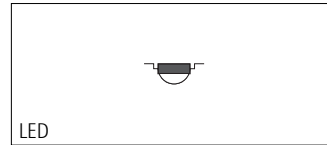
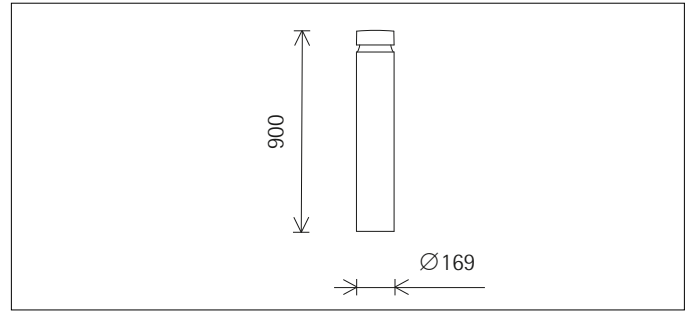


Floor washlight

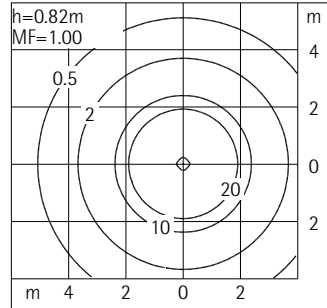


33929.000 Graphit m
LED 24W 3300lm 4000K neutral white
Switchable
Version 1

Product description

For mounting on accessories.
Bollard: corrosion-resistant aluminium profile, No-Rinse surface treatment. Double powder-coated. Optimised surface for reduced accumulation of dirt.
Upper cover and base plate: corrosion-resistant cast aluminium, No-Rinse surface treatment. Double powder-coated. Base plate for mounting on ground socket, concrete anchor or mounting plate.
Electronic control gear. 2 cable entries. Through-wiring possible. 3 terminals.
LED module: high-power LEDs on metal-core PCB. SDCM<2. CRI>80. L80/B10 50000h.
360° light guidance ring made of optical polymer.
Anti-glare cone: corrosion-resistant cast aluminium, No-Rinse surface

treatment. double powder-coated and black lacquered.
Glare-free above the light aperture.
Mounting accessories to be ordered separately.
Protection mode IP65: dust-proof and water jet-proof.
Weight 9.60kg
Housing temperature 53°C
Maximum wind load area 0.15m²



LED 24W 3300lm 4000K neutral white

Technical data

Luminous flux of the luminaire	701lm
Connected load	29W
Luminous efficacy	24lm/W
Colour deviation	SDCM<2
Colour rendition index	CRI>80
Lumen maintenance	L80/B10 50000h
LED failure rate	0.1% 50000h
Dimming range	--
Dimming method	--
LMF	E
Energy efficiency class	EEL A++
Temperature on the light aperture	35°C

ERCO Lighting Ltd.
38 Dover Street
London W1S 4NL
Great Britain
Tel.: +44 20 7344 4900
Fax: +44 20 7409 1530
info.uk@erco.com

ERCO Lighting Pte. Ltd.
Representative Office
349 Pacific Highway
North Sydney NSW 2060
Australia
Tel.: +61 2 9004 8801
Fax: +61 2 9004 8805
info.au@erco.com

ERCO GmbH
Brockhauser Weg 80-82
58507 Lüdenscheid
Germany
Tel.: +49 2351 551 0
Fax: +49 2351 551 300
info@erco.com

Technical Region: 220V-240V/50Hz
We reserve the right to make technical and design changes.
Edition: 29.02.2016
Current version under
www.erco.com/33929.000

Planning data

Cleaning (a)	1				2				3			
	P	C	N	D	P	C	N	D	P	C	N	D
LMF	0.96	0.94	0.90	0.86	0.93	0.91	0.86	0.81	0.92	0.90	0.84	0.79
RSMF	0.96	0.92	0.87	0.81	0.96	0.92	0.87	0.81	0.96	0.92	0.87	0.81

Hours of operation (h)	1000	2000	4000	6000	8000	10000	20000	30000	40000	50000
LLMF	0.99	0.99	0.98	0.97	0.96	0.95	0.92	0.88	0.84	0.81
LSF	1	1	1	1	1	1	1	1	1	1

- MF LMFxRSMFxLLMFxLSF
- MF Maintenance Factor
- LMF Luminaire Maintenance Factor
- RSMF Room Surface Maintenance Factor
- LLMF Lamp Lumens Maintenance Factor
- LSF Lamp Survival Factor
- P Room pure
- C Room clean
- N Room normal
- D Room dirty

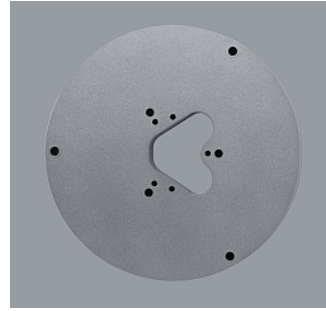
Technical data based on international standards and directives

- IEC 60598 Luminaires – Parts 1+2: General requirements, particular requirements and tests
- IEC 62031 LED modules for general lighting – Safety specifications
- IEC 62471 Photobiological safety of lamps and lamp systems
- EN 13032-4 Light and lighting – Measurement and presentation of photometric data of lamps and luminaires
- CIE 13 Method of measuring and specifying colour rendering of light sources

Accessories



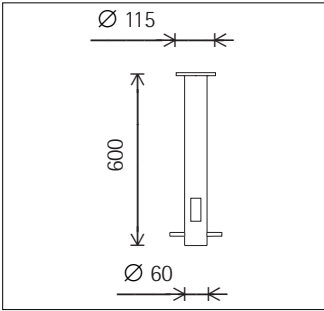
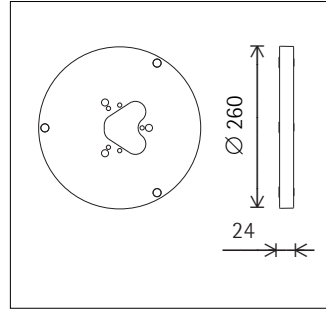
34974.000
Distribution box, IP68
With four cable entries, 7-25mm.
Polymer.
ø 102mm, L 305mm.
Weight 0.47kg
CE IP 68 3m



33982.000
Mounting plate
Corrosion-resistant cast aluminium,
No-Rinse surface treatment. Graphit m,
double powder-coated.
Weight 1.70kg



33974.000
Ground socket
Metal, hot-dip galvanised.
Cable entry.
Weight 2.30kg



33981.000
Concrete anchor
Mounting plate with threaded bar and
fixing nuts M10. Individual parts to be
assembled on-site.
Weight 0.76kg

