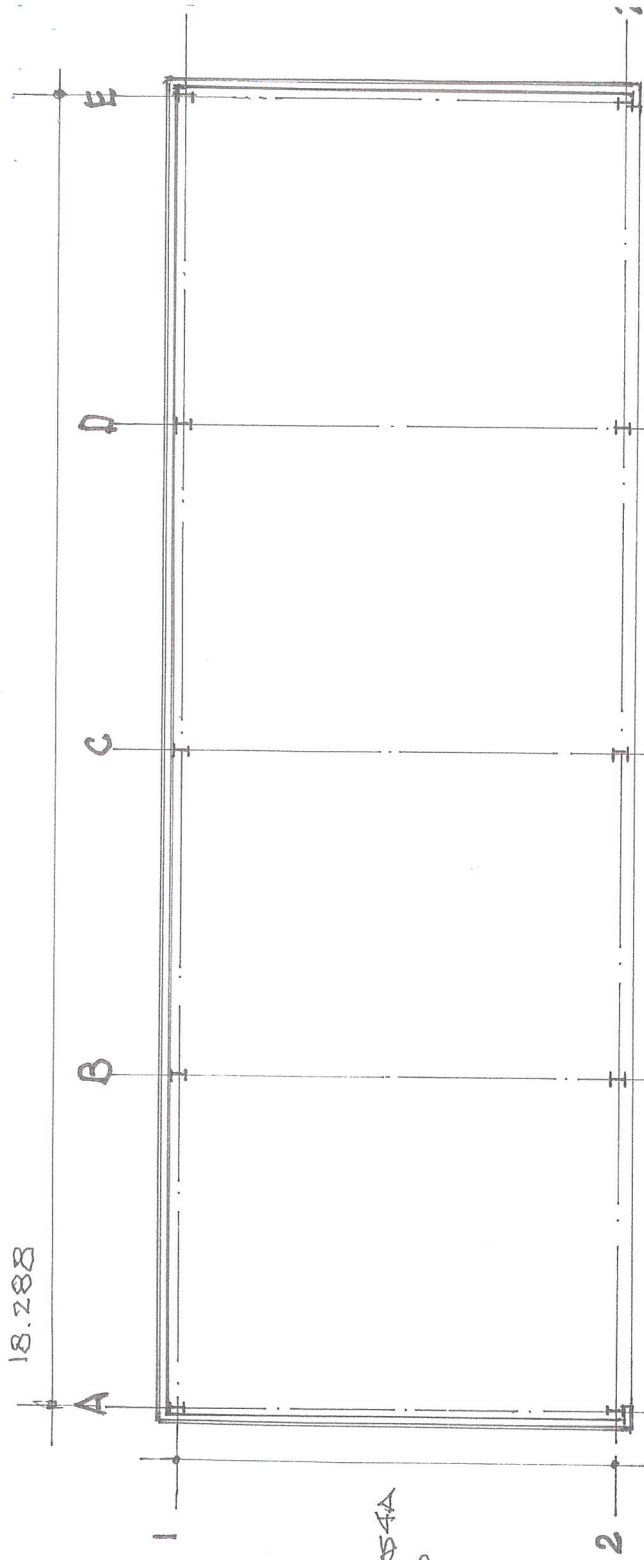


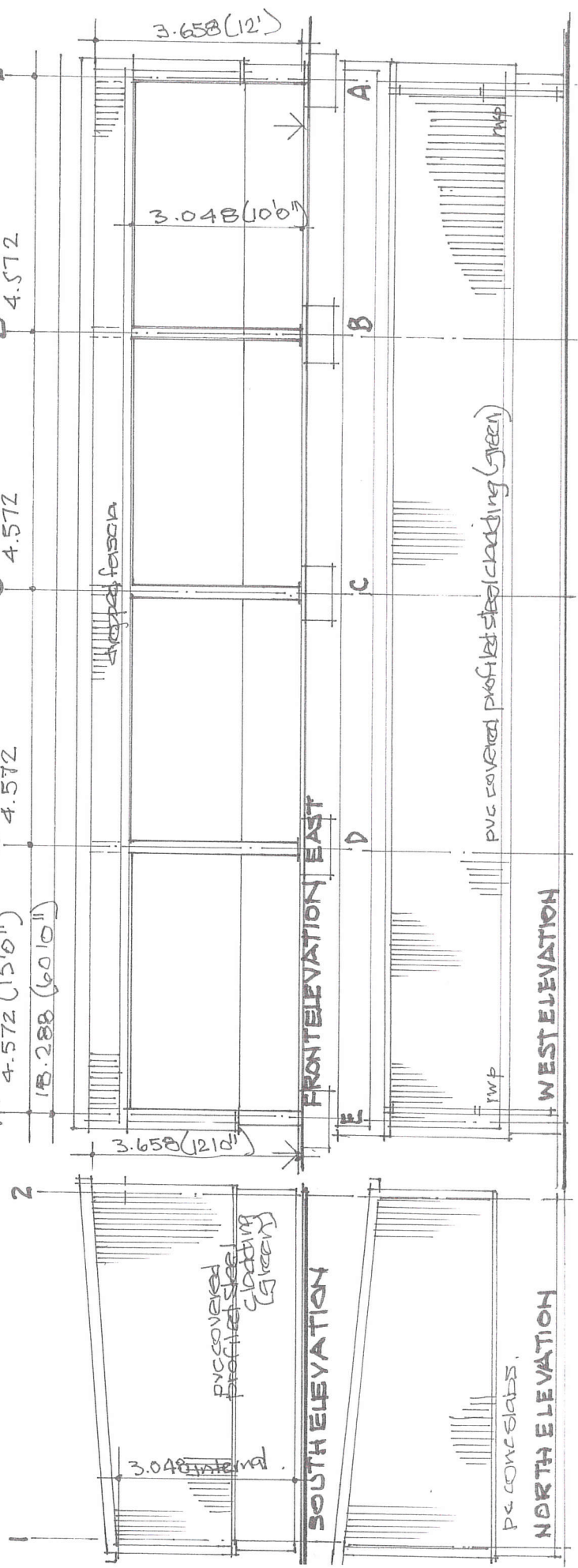
SITE PLAN 1:1250
 2X MACHINERY SHEDS, A & B.
 WOOLAW FARM.
 ROCHESTER
 NEWCASTLE UPON TYNE
 NE19 1TB.

WOOLA W FARM SHED A.

SCALE 1:100 JAN 21 DWG NO 4A
6.0916



PLAN

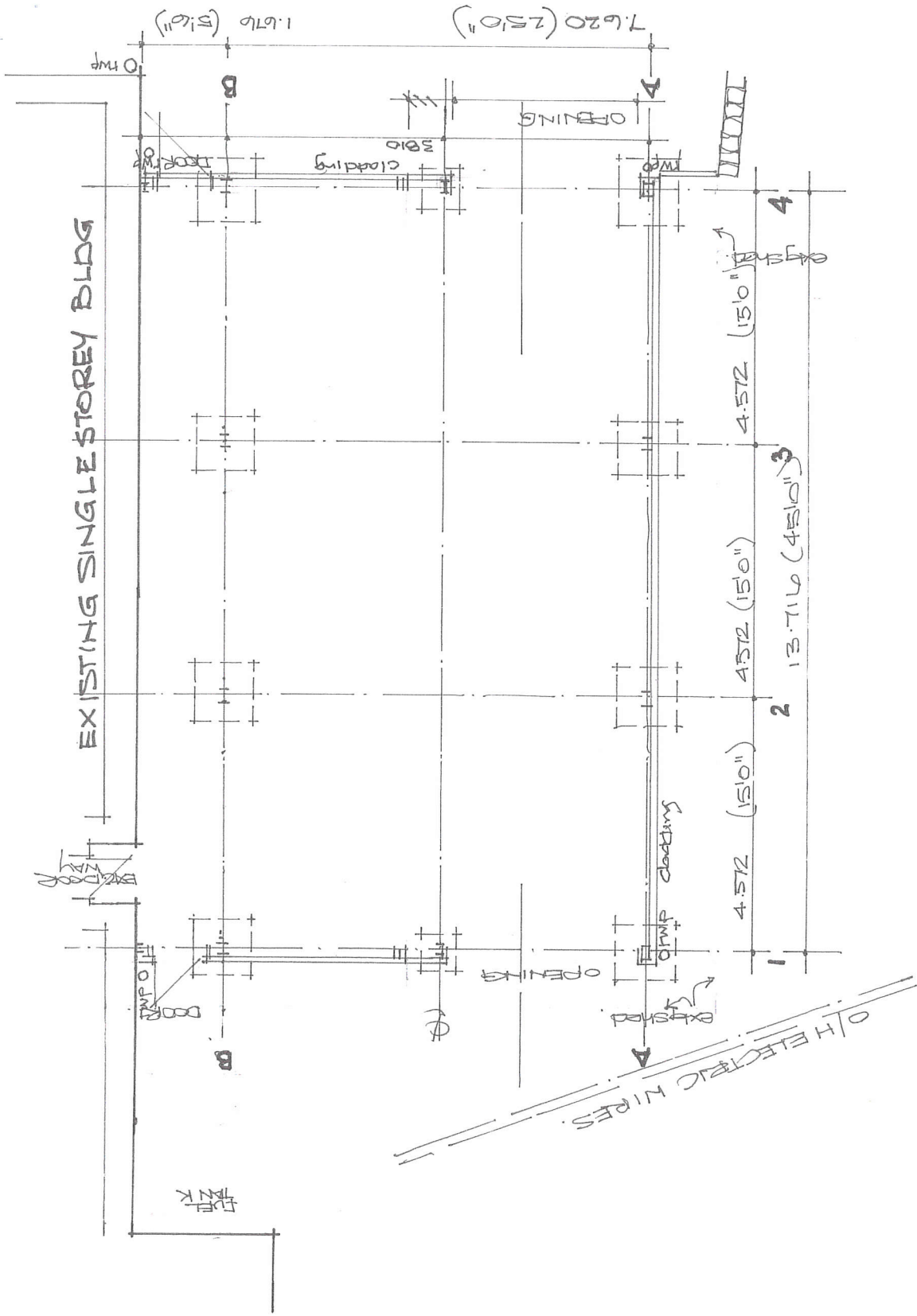


FRONT ELEVATION EAST

WEST ELEVATION

SOUTH ELEVATION

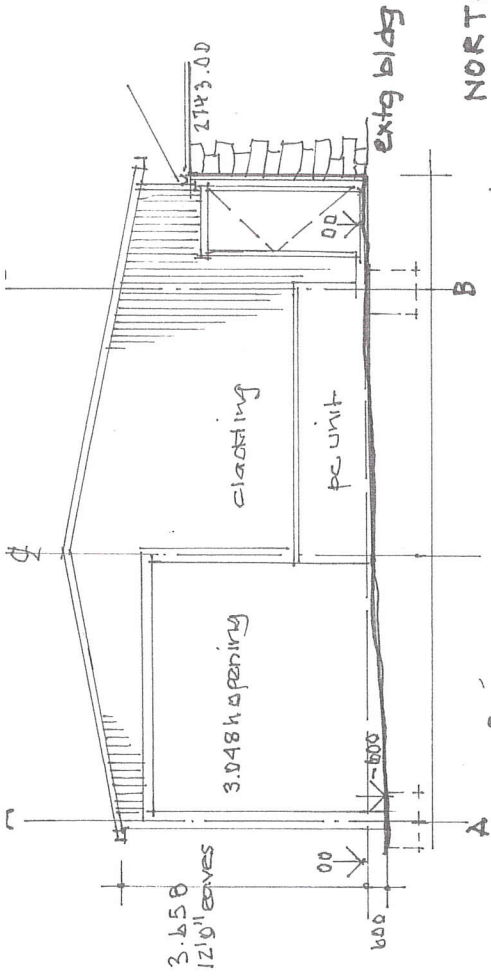
NORTH ELEVATION



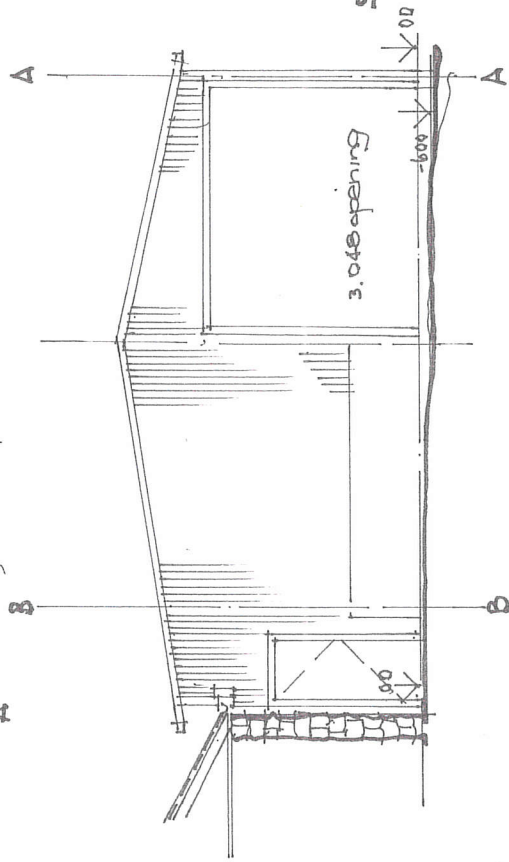
WOOLA W FARM
 STEEL SHED B PLAN.
 1/8" SCALE JAN 2021. DRAWING NO. 15.

WOOLA W FARM Proposed
STEEL SHED B

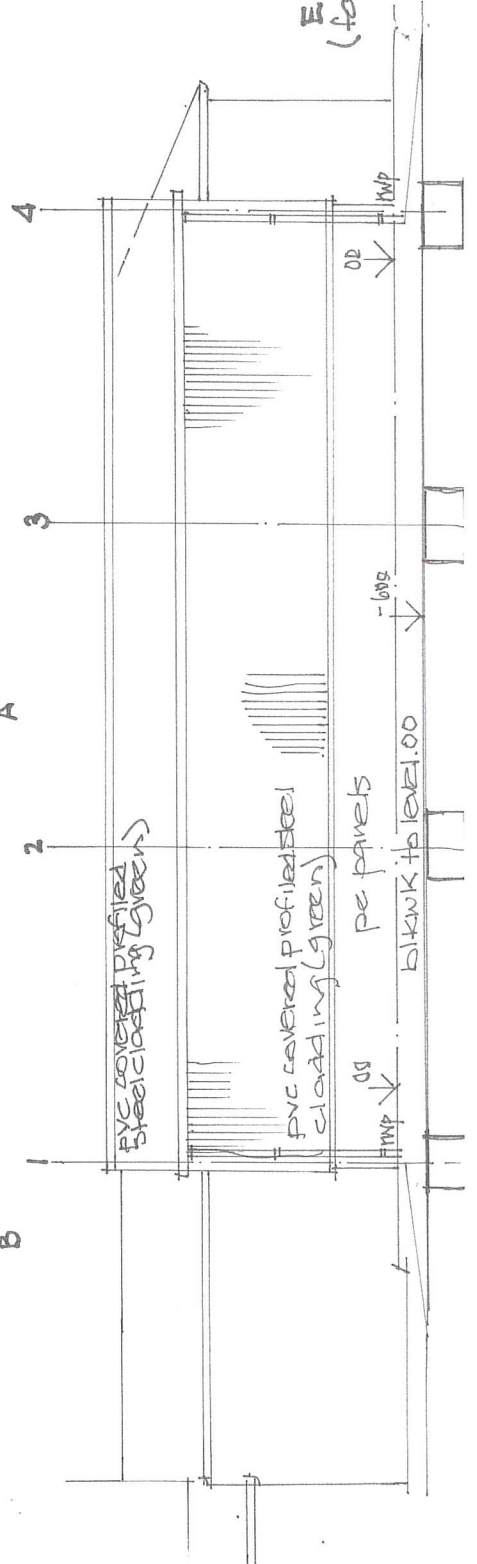
1.100 JAN 21. DWG NOS ZB.



NORTH ELEVATION

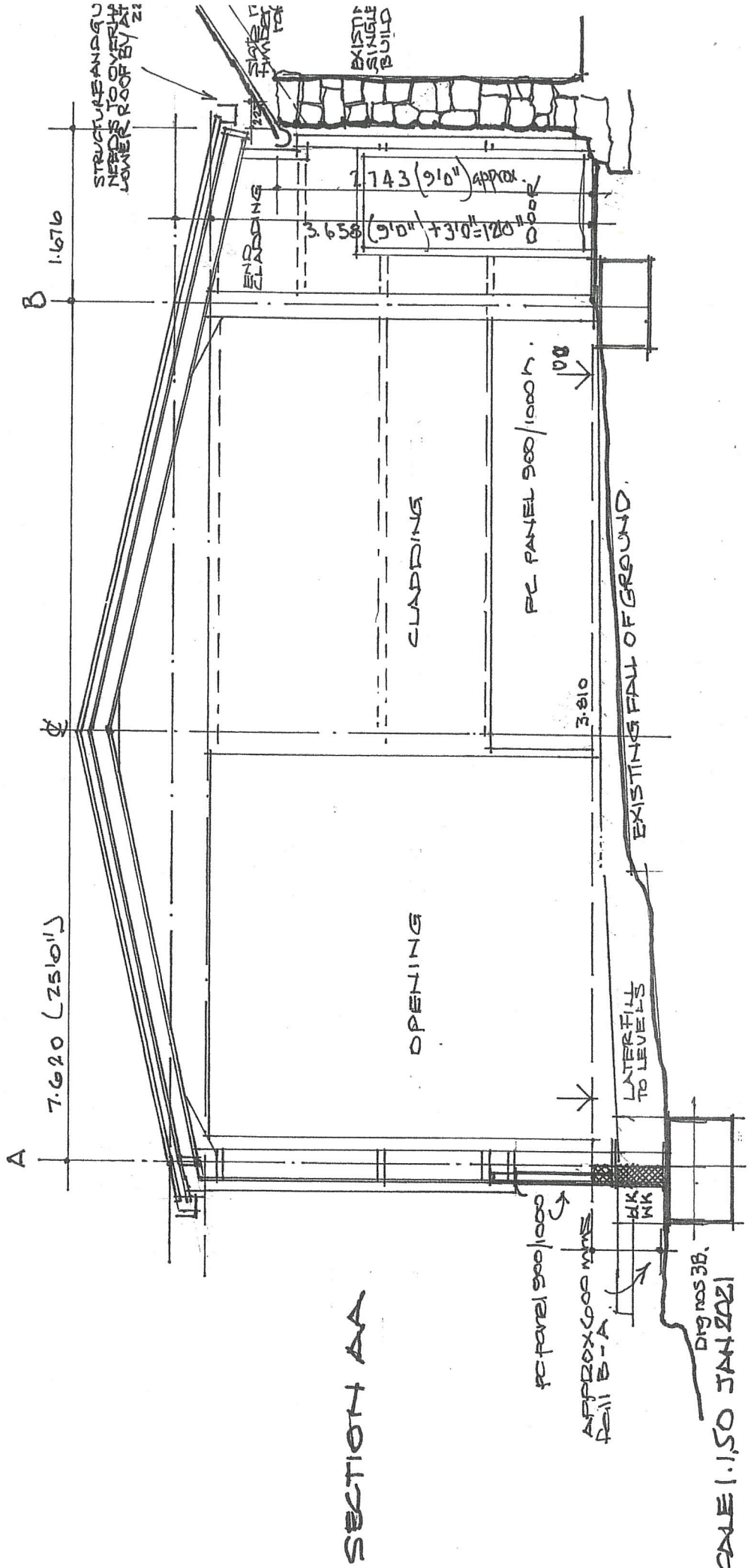


SOUTH ELEVATION



EAST ELEVATION.
(facing A00)

STEEL SHED B,
 WOOLAW FARM
 SCALE 1:150 DIG NO 3B.



SECTION AA

SCALE 1:150 JAN 2021